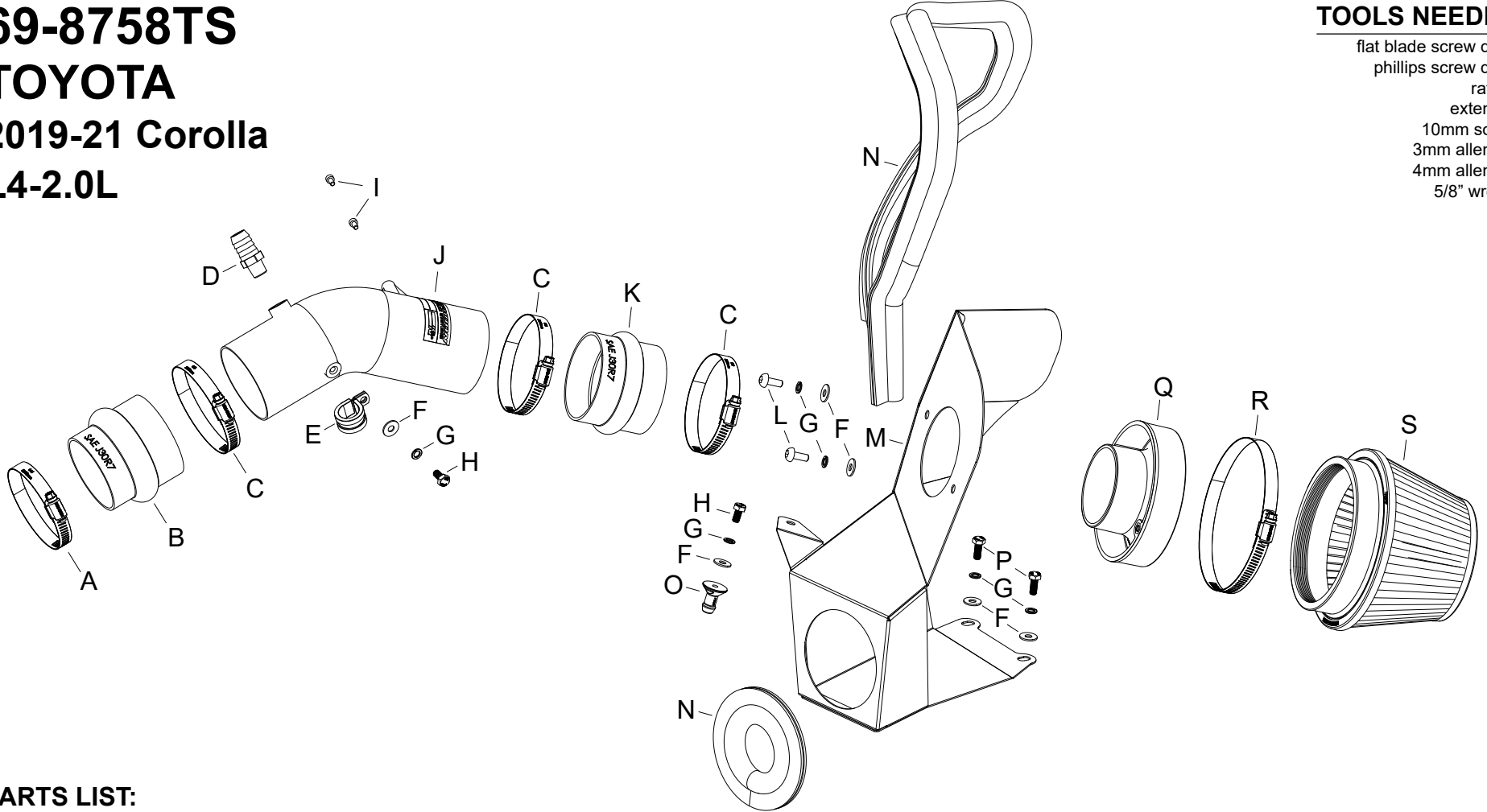


INSTALLATION INSTRUCTIONS

69-8758TS
TOYOTA
2019-21 Corolla
L4-2.0L

TOOLS NEEDED:

- flat blade screw driver
- phillips screw driver
- ratchet
- extension
- 10mm socket
- 3mm allen key
- 4mm allen key
- 5/8" wrench



PARTS LIST:

Description	Qty.	Part #	Description	Qty.	Part #	Description	Qty.	Part #
A HOSE CLAMP; #44	1	08577	G WASHER; M6 SPLIT LOCK ZINC	6	1-3025	M HEAT SHIELD; 69-8758, MILD	1	073288
B HOSE; HUMP 3" TO 2.75" X 3"L	1	08421	H BOLT; M6 X 1 X 12MM, HEX	2	07727	N EDGE TRIM; 3/4" BULB, TOP	1	102487
C HOSE CLAMP; #48	3	08601	I BOLT; M4-7 X 8MM, ALLEN, SS	2	07733	O MOUNT, PLASTIC AIRBOX	1	8-186-1
D FITTING; VENT STRT 5/8	1	82638	J TUBE; 3"OD X 9"L, AL, SILVER	1	25822S	P BOLT; M6-1 X 16MM, SS	2	07812
E CLAMP; LOOP, 3/4", RUBBER	1	077014	K HOSE; HUMP 3"ID X 2.5"L	1	087121	Q ADAPTER; FILTER, 3.0"OD	1	21569
F WASHER; 6MM FLAT, SS	6	08269	L BOLT; M6 X 1 X 12MM, SS	2	07794	R CLAMP; #88, 1/2", SS	1	KITHS88
						S AIR FILTER	1	RU-5163

If you need any assistance please call 1-800-858-3333 to speak with a representative in our Customer Service Center before returning the product.

NOTE: FAILURE TO FOLLOW INSTALLATION INSTRUCTIONS AND NOT USING THE PROVIDED HARDWARE MAY DAMAGE THE INTAKE TUBE, THROTTLE BODY AND ENGINE.

TO START:

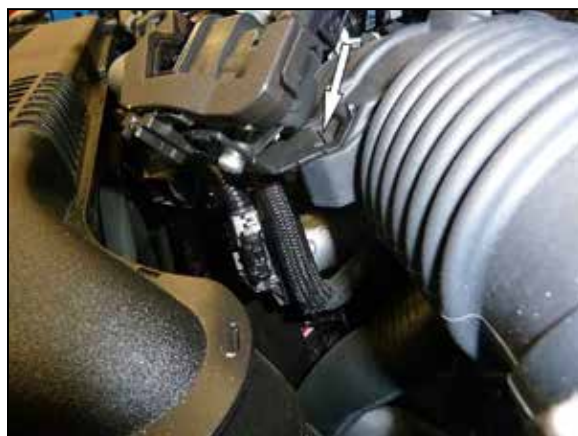
1. Turn off the ignition and disconnect the negative battery cable.
NOTE: Disconnecting the negative battery cable erases pre-programmed electronic memories. Write down all memory settings before disconnecting the negative battery cable. Some radios will require an anti-theft code to be entered after the battery is reconnected. The anti-theft code is typically supplied with your owner's manual. In the event your vehicles anti-theft code cannot be recovered, contact an authorized dealership to obtain your vehicles anti-theft code.



2. Disconnect the mass air sensor electrical connection.



3. Release the spring clamp that secures the PCV hose and then disconnect the PCV hose from the plenum. Loosen the hose clamp that secures intake tube to the throttle body.



4. Unhook the solenoid bracket from the intake tube.



5. Release the upper air filter housing retaining clips, lift and remove the upper air filter housing and intake tube. Remove the factory air filter.



6. Remove the two bolts that secure the lower air filter housing and then remove the lower housing from the vehicle.
NOTE: K&N Engineering, Inc., recommends that customers do not discard factory air intake.



7. Separate the fresh air intake duct from the lower air filter housing.



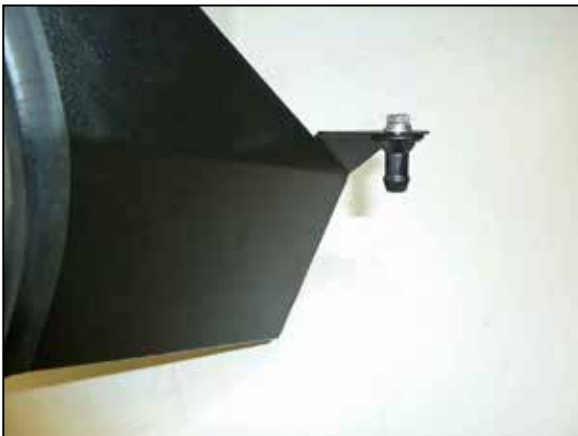
8. Cut the provided edge trim into sections of 9-1/2" and 35" long.



9. Install the 35" section around the outside of the heat shield.



10. Install the radius filter adapter into the heat shield and secure with the provided hardware.



11. Install the provided mounting stud onto the heat shield using the provided hardware.



12. Install the 9-1/2" edge trim into the fresh air intake hole of the heat shield and then install the factory fresh air duct into the heat shield as shown.



13. Install the heat shield assembly into the vehicle and secure with the provided hardware.



14. Install the provided coupler (08421) onto the throttle body and secure with the provided hose clamp.



15. Install the provided hump coupler (087121) onto the filter adapter and secure with the provided hose clamp.



16. Remove the mass air sensor from the factory housing and install it into the K&N® intake tube and secure with the provided hardware. Install the vent fitting into the K&N® intake tube as shown.

NOTE: NPT fitting has tapered threads and only designed to be installed until hand tight, then tighten one rotation or when the fitting becomes difficult to return.



17. Install the provided cushion clamp onto the K&N® intake tube using the provided hardware.



18. Install the intake tube into the couplers, adjust for best fit and then secure with the provided clamps.



19. Connect the PCV hose to the fitting installed into the K&N® intake tube and secure with the factory spring clamp.



20. Insert the solenoid bracket into the cushion clamp.



21. Reconnect the mass air sensor electrical connection.



22. Install the K&N® air filter and secure with the hose clamp.



23. Reconnect the vehicle's negative battery cable. Double check to make sure everything is tight and properly positioned before starting the vehicle.

24. It will be necessary for all K&N® high flow intake systems to be checked periodically for realignment, clearance and tightening of all connections. Failure to follow the above instructions or proper maintenance may void warranty.

ROAD TESTING:

1. Start the engine with the transmission in neutral or park, and the parking brake engaged. Listen for air leaks or odd noises. For air leaks secure hoses and connections. For odd noises, find cause and repair before proceeding. This kit will function identically to the factory system except for being louder and much more responsive.

2. Test drive the vehicle. Listen for odd noises or rattles and fix as necessary.

3. If road test is fine, you can now enjoy the added power and performance from your kit.

4. K&N Engineering, Inc., requires cleaning the intake system's air filter element every 100,000 miles. When used in dusty or off-road environments, our filters will require cleaning more often. We recommend that you visually inspect your filter once every 25,000 miles to determine if the screen is still visible. When the screen is no longer visible some place on the filter element, it is time to clean it. To clean and re-oil, purchase our filter Recharger® service kit, part number 99-5050 or 99-5000 and follow the easy instructions.

NOT LEGAL FOR SALE OR USE ON ANY POLLUTION CONTROLLED MOTOR VEHICLE IN CALIFORNIA OR STATES ADOPTING CALIFORNIA EMISSION PROCEDURES.

See knfilters.com for CARB status on each part for a specific vehicle