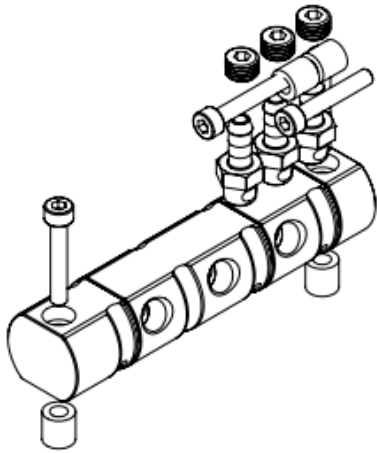


Manifold Blocks



Engineered to WIN



The TurboSmart Manifold Block is a professional solution for remote mounting expensive and delicate sensors away from high vibrations such as engines. Perfect for mounting Manifold pressure sensors, Fuel pressure sensors or any other sources of vacuum or pressure. Anodised in Black

TS-0704-1101/1201/1301 (ONLY) 1/8 NPT Ports for such applications as

- Fuel Pressure Sensor
- Manifold Pressure Sensor
- Wastegate
- Blow Off Valve
- Boost Gauge
- Brake Booster

TS-0704-1001(ONLY) 1 x 1/4 NPT Port for Supply of Vacuum Source Manifold

- Individual Throttle Body Vacuum Distribution Block

Mechanical Data	TS-0704-1001	TS-0704-1101	TS-0704-1201	TS-0704-1301
Mass	G	G	G	G
Safe Working Pressure	1240 kPag / 180 psig / 12 bar			
Port Fitting Type				
Inlet	1 x 1/4" NPT	3 x 1/8" NPT	3 x 1/8" NPT	4 x 1/8" NPT
Outlet	4 x 1/8" NPT	3 x 1/8" NPT	3 x 1/8" NPT	4 x 1/8" NPT
	All Vacuum Common	4 x Vacuum Common	3 x Sensor Ports	2 x Sensor 4 x Vacuum Common

Included in the Box

Manifold/Sensor Block	Yes	Yes	Yes	Yes
Mount	M3 Mount	M5 Bolt and Spacer	M5 Bolt and Spacer	M5 Bolt and Spacer
Blanks	4 x 1/8NPT	3 x 1/8NPT	3 x 1/8NPT	4 x 1/8NPT
Nipples	4 x 1/8NPT- 6mm 1 x 1/4NPT - 10mm	3 x 1/8NPT- 6mm	3 x 1/8NPT -6mm	4 x 1/8NPT -6mm

Thermal Data

Min Temperature Range	-30°C (-22°F)
Max. Temperature Range	100°C (212°F)

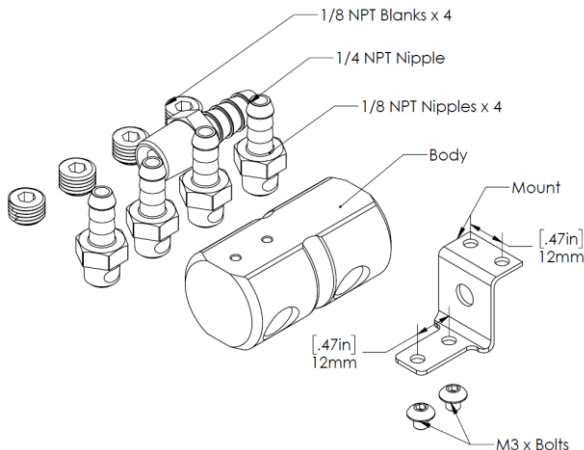
Order Data

TS-0704-1001	5 Port Vacuum Manifold
TS-0704-1101	Remote Vacuum Distribution Block 6 Way 1/8NPT
TS-0704-1201	Remote Sensor Block Base 3 Way 1/8 NPT
TS-0704-1301	Remote Combo Block Sensor and Vacuum 1/8NPT

Material Data

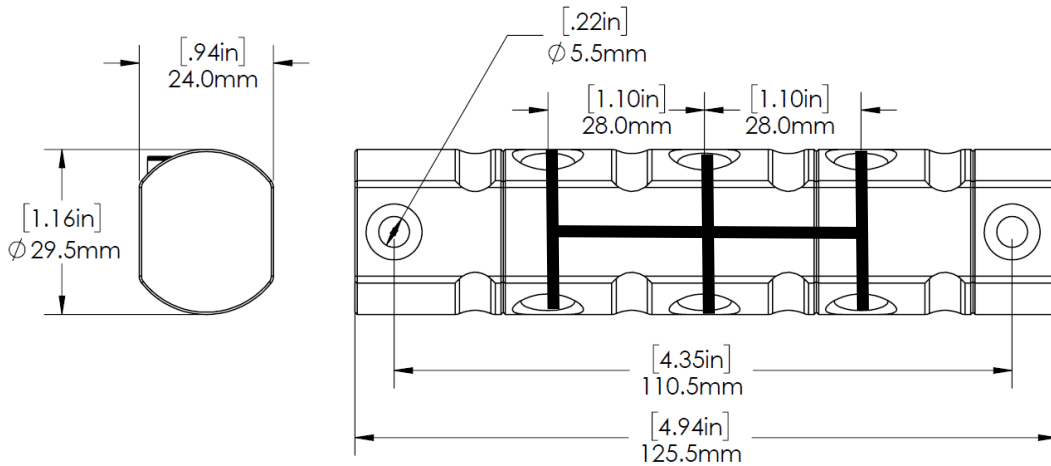
Beryllium (Be)	0%
Manifold Block	6262 T6 anodised Al.

TS-0704-1001 5 Port Vacuum Manifold – Mount Options/Sensor Logic



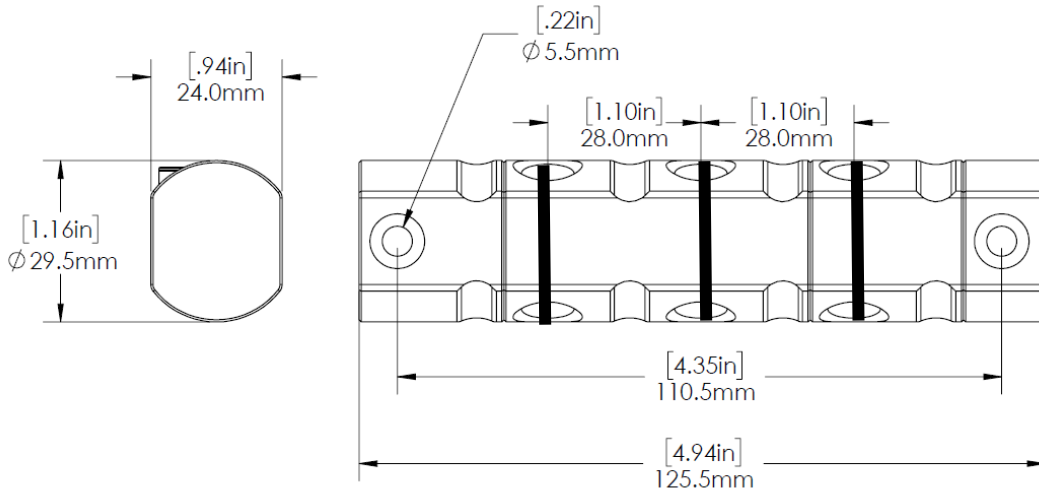
Vacuum Source is Common Shared between 1/4NPT Input and 4 x 1/8 NPT Output

TS-0704-1101 Remote Vacuum Distribution Block 6 Way 1/8 NPT – Mount Options/Sensor Logic



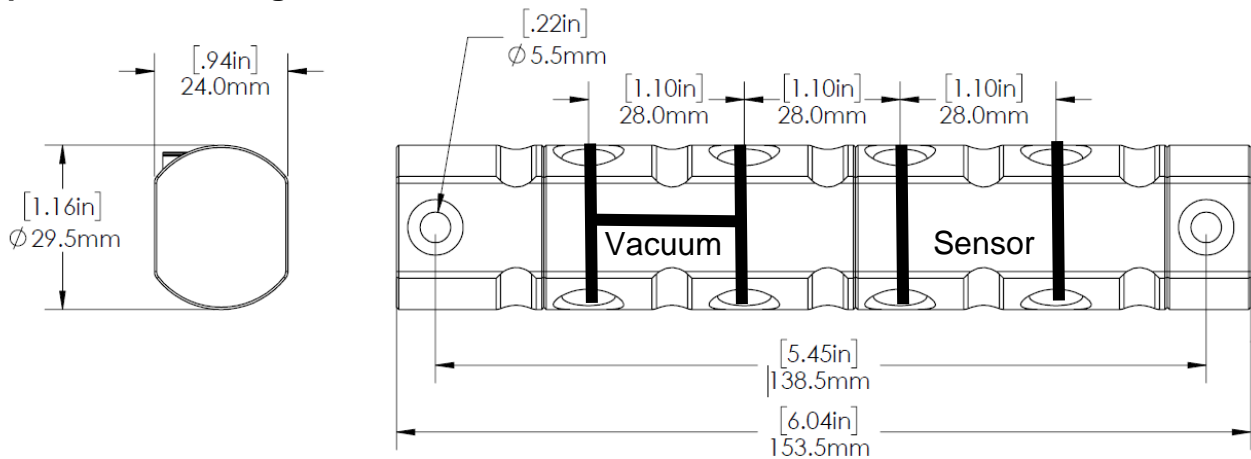
Vacuum Source is Common Shared between all 6 x 1/8 NPT Inputs

TS-0704-1201 Remote Sensor Block 3 Way 1/8 NPT – Mount Options/Sensor Logic



Each Sensor Input has 1 input and 1 Sensor output totalling 3 Possible Inputs

TS-0704-1301 Remote Combo Block Sensor and Vacuum 1/8 NPT– Mount Options/Sensor Logic



Each Sensor Input has 1 input and 1 Sensor output totalling 2 Possible Inputs. Vacuum is shared between 4 Ports.