



DESTROYER SERIES

JK

JL

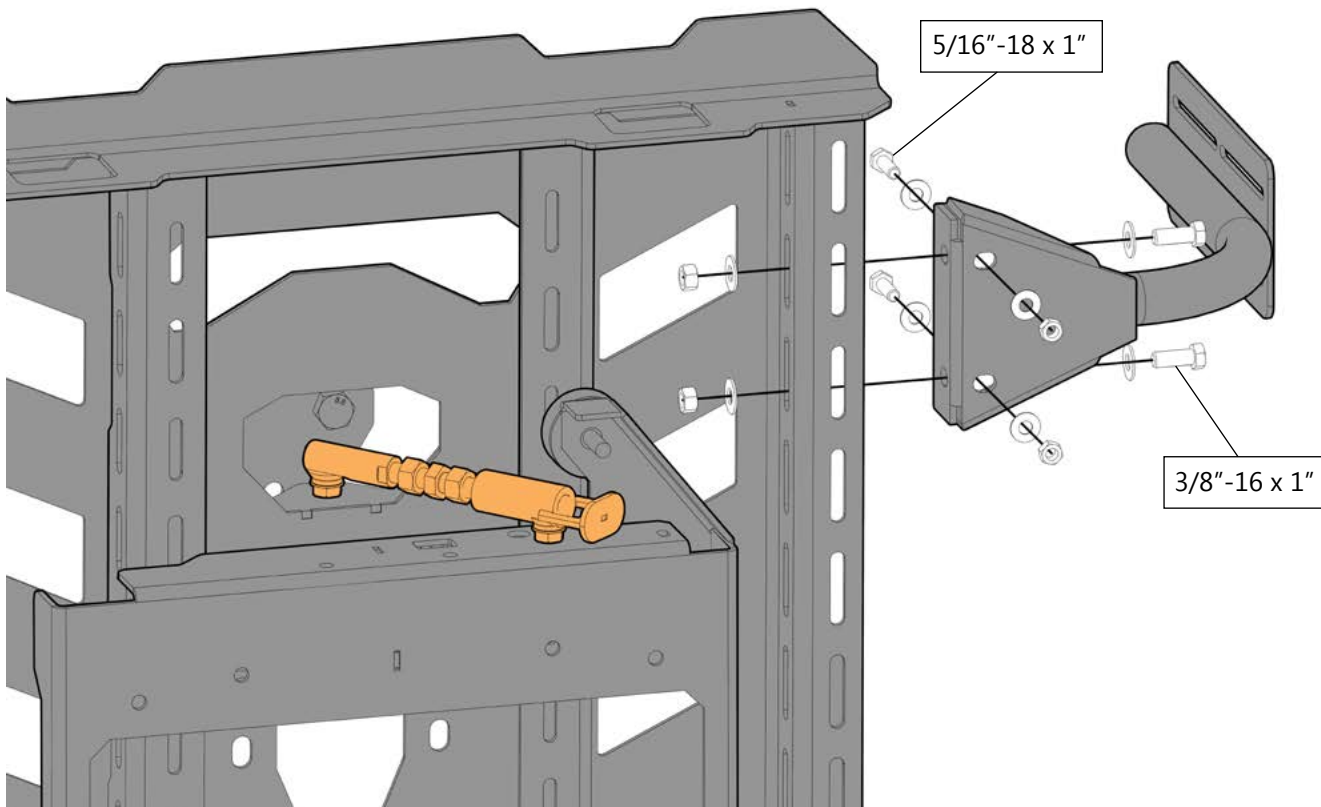
SINGLE
ROTOPIX
MOUNT

***PLEASE READ THROUGH THE
INSTRUCTIONS BEFORE BEGINNING
ANY PART OF THE INSTALLATION
PROCESS***



WEB INSTALL LINK:

<http://lodoffroad.com/assets/pdfs/JRP0701.pdf>



Attach the Rotopax arm as shown with the provided hardware

ITEM NO.	PART NUMBER	DESCRIPTION	QTY.
1	4JRP0721-01	ROTOPIX MOUNT ARM	1

HARDWARE KIT

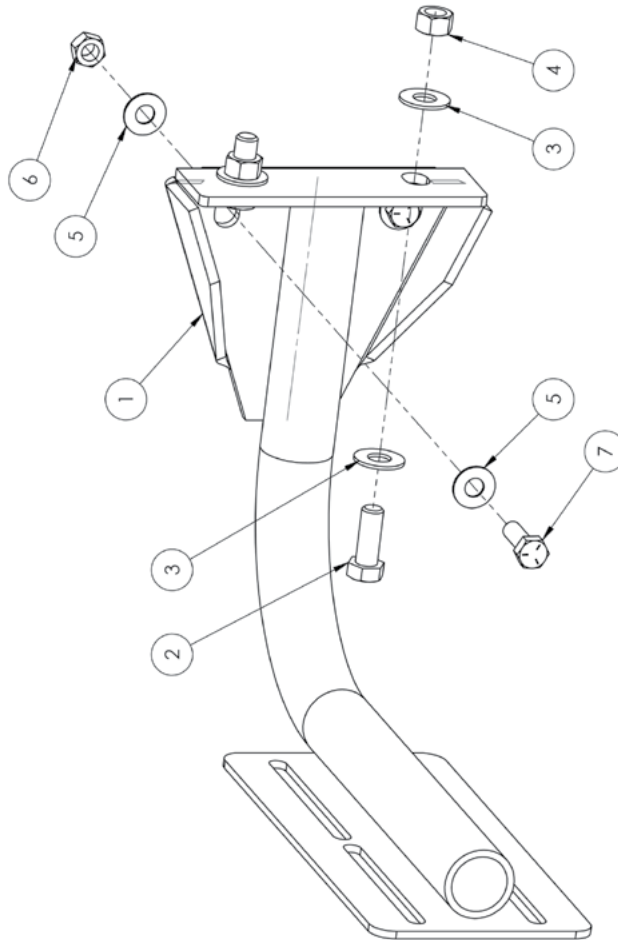
ITEM NO.	PART NUMBER	DESCRIPTION	QTY.
2	HB381616ZPGR5	HEX BOLT 3/8-16 X 1.00 ZINC PLATE GR5	2
3	FW3814ZP	FLAT WASHER Ø3/8" X .875 ZINC PLATE	4
4	HN3816ZPGR5	HEX NUT 3/8-16 ZINC PLATE GR5	2
5	FW3112ZP	FLAT WASHER Ø5/16" X .75" ZINC PLATE	4
6	HN3118ZPGR5	HEX NUT 5/16-18 ZINC PLATE GR5	2
7	HB311816ZPGR5	HEX BOLT 5/16-18 X 1.00 ZINC PLATE GR5	2

NOTES:

1. JRP0700 = BARE STEEL OPTION
2. JRP0701 = BARE STEEL OPTION

DESTROYER ROTOPIX 2-3 GALLON
(SINGLE MOUNT)

JRP0700
JRP0701

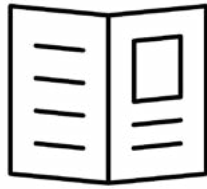




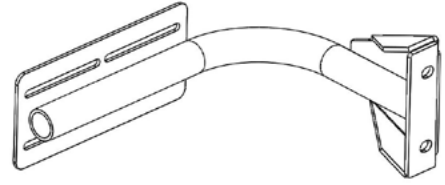
JK/JL Jeep
DESTROYER SERIES
Single Rotopax Mount
SHIPPING SHEET

Packaged by:

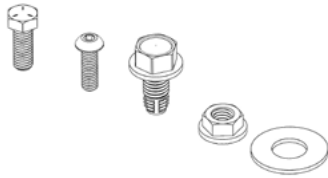
On:



Instruction
Booklet



Rotopax
Mount Arm
(x1)



BOLT KIT
(may vary)

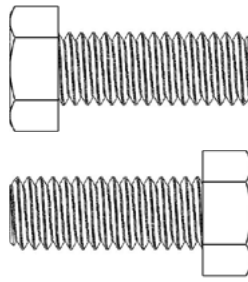




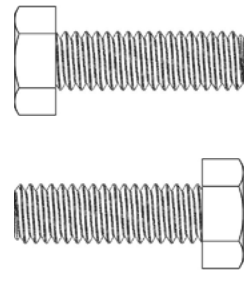
JK/JL Jeep
DESTROYER SERIES
Single Rotopax Mount

Bolt Kit
Packaged by:

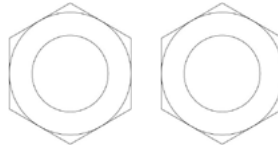
On:



Hex Bolt
3/8\"-16 x 1\"
(x2)



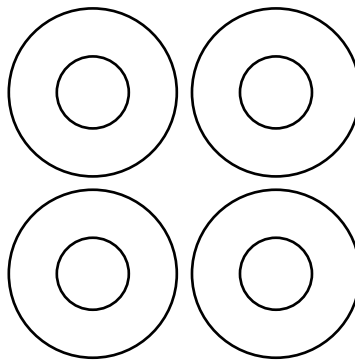
Hex Bolt
5/16\"-18 x 1\"
(x2)



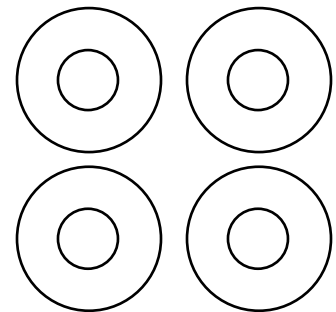
Hex Nut
3/8\"-16
(x2)



Hex Nut
5/16\"-18
(x2)



Flat Washer
3/8\" x 0.875\"
(x4)



Flat Washer
5/16\" x 0.75\"
(x4)

