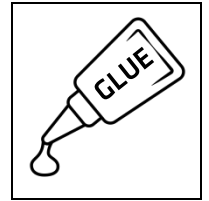


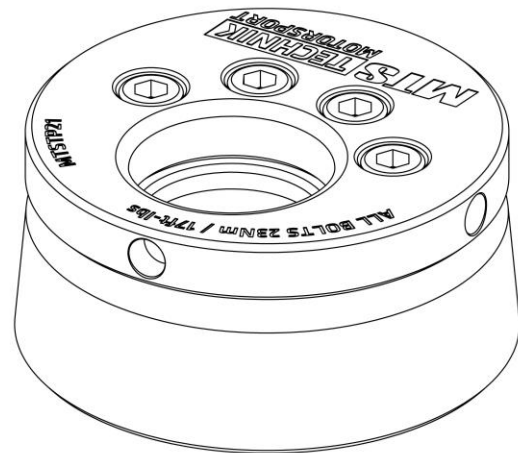
Nut made specifically for this application with elongated thread for enhanced strength.

WARNING! Always use thread adhesive with this type of nut. Tighten the nut to 50Nm / 36ft-lbs. Do not use any impact tools.

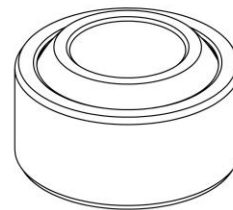


High strength anodized aluminium parts for best fit and support to the body. This type of top mount provides continuous 360° camber and caster adjustment. MTSKL03 wrench can be used for easier operation.

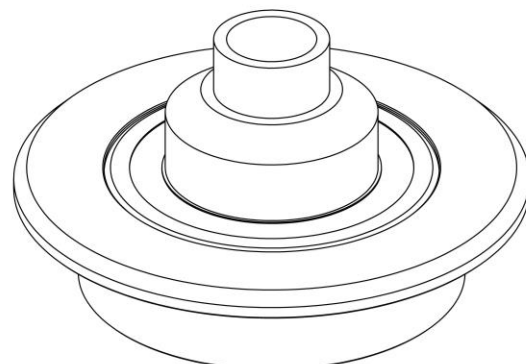
WARNING! Tighten the top bolts to torque specification given on the plate.

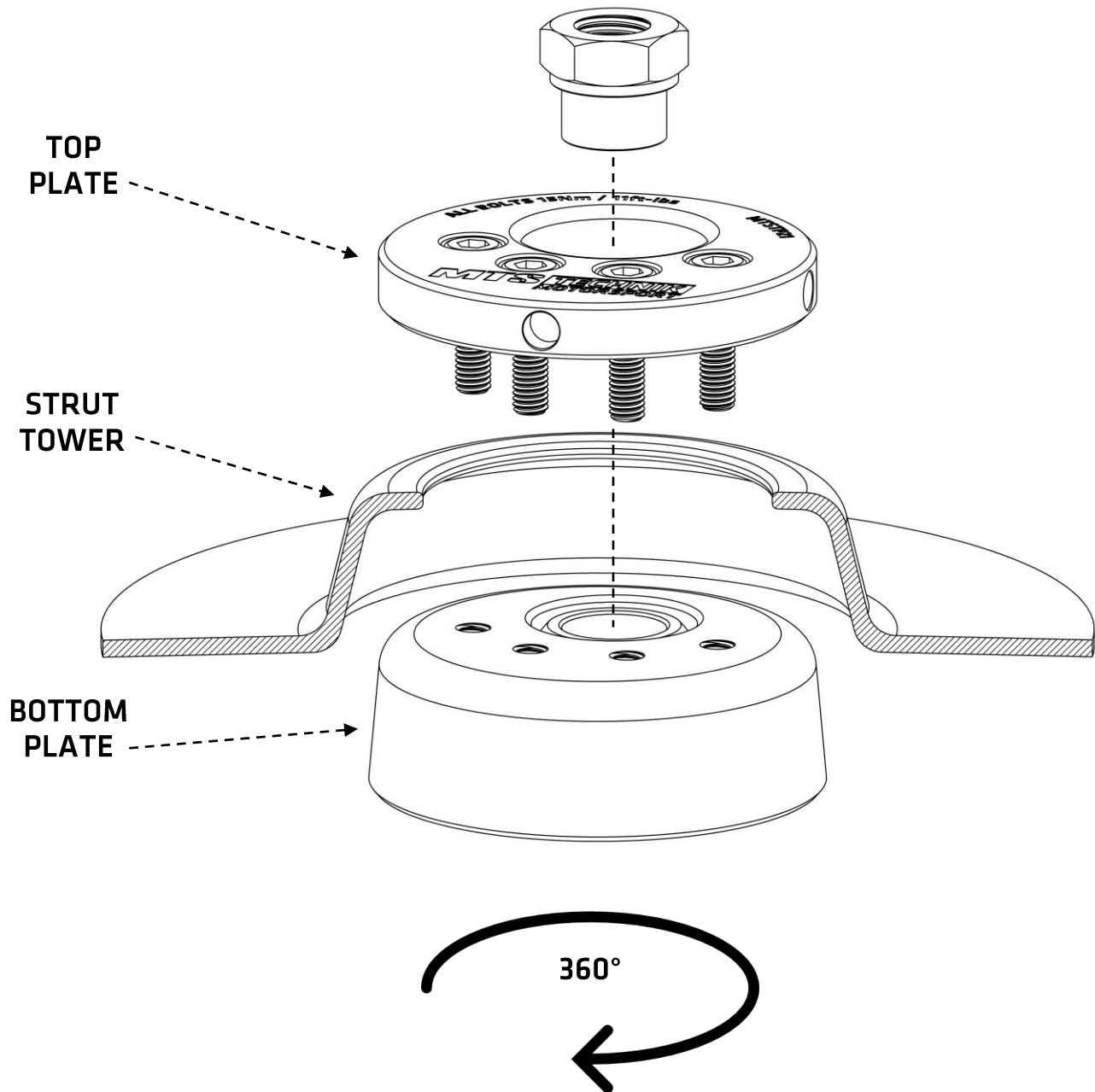


Brand new, preloaded, spherical bearing - developed and tested in extreme conditions by MTS Technik. Optimal bearing material selection for best corrosion resistance. Proven to withstand thousands of kilometres without any damage.



Top spring cap with integrated sealed bearing offers smooth and quiet operation with great reliability. Precise steering without knocks and creaks.





1. ASSEMBLE AS SHOWN ABOVE
2. ROTATE ON A LIFTED CAR TO GET REQUIRED ANGLE CORRECTION
3. TIGHTEN SCREWS TO GIVEN TORQUE SPECIFICATION