



REAR BUMPER INSTALLATION INSTRUCTIONS
1992-2014 FORD VAN
PN:210005.6 & 210005.7

Please read before beginning

- *Stainless steel hardware may bind together when tightening— It is recommended that you apply an anti-seize assembly lubricant to the threads of each bolt before assembly*
- *This installation requires two people*
- *You may want to contact a body shop to perform certain steps of this installation if you are not comfortable with wiring or heavy tools*
- *Unless otherwise specified, refer to the general torque value at the end of the instructions for specified torque values.*



Required tools

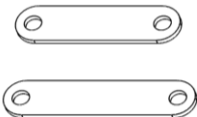

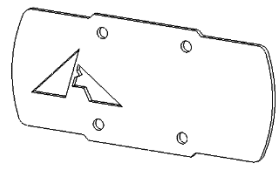
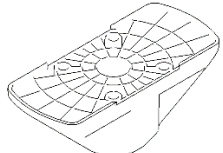
- Standard wrench set
- Allen wrench set
- (Optional) Pneumatic air chisel
- Hammer
- Metal punch
- Leveling tool



Included hardware **Quantity**

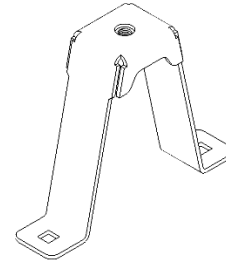
- Bumper mounting hardware
 - 70036 – 1/2"-13 x 1 1/2" Hex bolt, grade 8 6
 - 70033 – 1/2"-13 Nuts with nylon locking insert 6
 - 70035 – 1/2" Washer (.09 Thickness) 12
- Support strap
 - 70027 – 3/8" Thick Washer 2
 - 70028 – 3/8" Stainless Steel Washer 2
 - 70029 – 3/8"-16 x 1 1/2" Stainless steel bolt 2
 - 70118 – 5/16"-18 Thin Nuts with nylon locking insert 2
 - 70020 – 5/16" SS Washer 2
- License plate hardware
 - 70060 – Bolt, Button Head, Socket Cap, SS, 1/4-20 x 1" 2
 - 70008 – 1/4-20 Nuts with nylon locking insert 2
 - 70009 – 1/4 x 5/8 Washer SS (.03" Thick) 4
- Tire Rack Mounting Hardware
 - 70479 – 5/32", Tamper Resistant, Hex Bit, 1
 - 401132 – 1/4" Hex Bit Holder, Key Chain 1
- 400503.4 – Keys, Tool Box Lock Set 1 Set
- Antiseize Packet, 2g 1

Included Parts/Subassemblies

<u>PN:</u>	<u>Description</u>	<u>Quantity</u>	<u>Picture</u>
Short , 350175 / long , 350175.1	Ford Van Straps	2	
350177	Door Pin Bolt	2	
351648	Universal Tire Mount, Wheel Wedge Cover	1 ea	
301629	Universal Tire Mount, Wheel Wedge	1 ea	

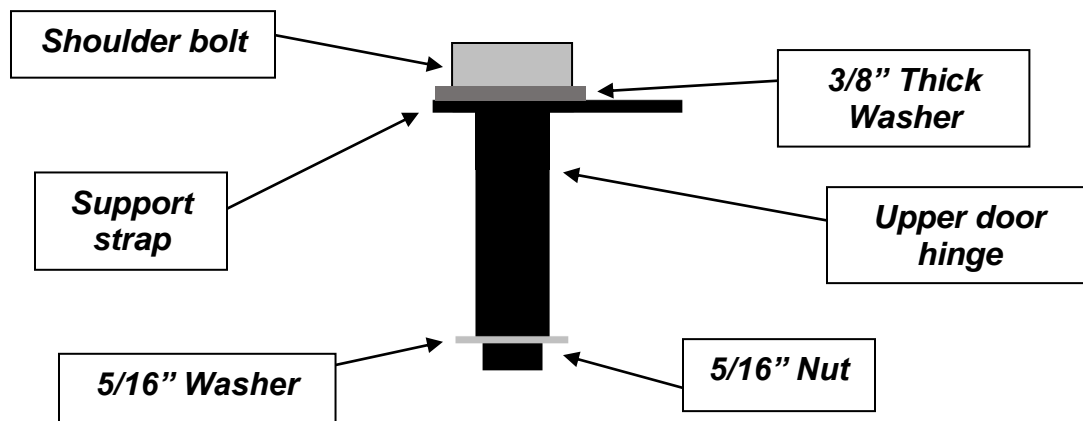


351133 Universal Tire Mount, Bracket 1 ea



Assembly instructions

1. Remove the existing bumper
2. Before installing the new bumper, you will need to remove the **upper door hinge pins** on each side:
 - Tape a piece of cardboard below the hinge to protect the paint on the van
 - Drill the bottom of the hinge pin with a 3/8" drill bit 1/4" up into the hinge
 - Use a hammer and punch or air chisel to drive the pin out of the hinge
 - The pin is splined at the top and requires hard blows to remove
3. Use the provided shoulder bolt in place of the removed hinge bolts to attach the support straps to the top of upper door hinge with washers and bolts as shown in picture below



4. The tow light receptacle can be mounted to the bottom of the bumper or to the side of the lock box. It is less likely to get damaged if it is mounted out of sight to the side of the lock box. You will need to reroute the wire harness before installing the bumper
5. Set the Aluminess bumper on the tow hitch for balance
6. With one person holding the bumper, install the six 1/2"-13 x 1 1/2" bolts with large flat washers and nuts; it is easiest to install the bolts into the holes furthest from the center first
7. Tighten all six bolts so the bumper will be held in place but can still be moved, but do not fully tighten down the bolts yet
8. Visually inspect and adjust the bumper so it is centered side to side and level on top
9. Bend the support strap so it is flat against the top of the brush guard pole
10. Use the 3/8"-16 x 1 1/2" bolts and 3/8" washers on both sides of the strap to bolt the strap into the threaded hole on top of the brush guard pole
11. The installed support strap should resemble the picture below



12. Re-check the bumper to make sure it is level and tighten down the six ½"-13 x 1 ½" mounting bolts to a maximum torque of 100 ft-lbs
13. Install the tow light receptacle if you have one
14. Move the license plate from back of the van to the bumper using the supplied ¼"-20 x ¾" bolts, ¼" Washers, and ¼"-20 Nylock Nuts

Tire Rack Installation Instructions

1. Loosely fasten the Tire Mount Bracket to the slotted channel, going through the bracket first, using the 3/8" carriage head bolts, washer, and nuts to mount. Reference Figure 1.

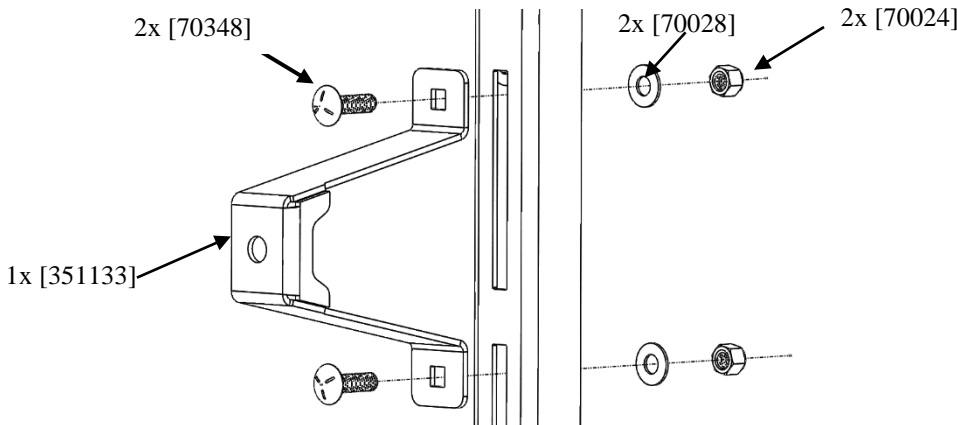


Figure 1: Mounting Tire Bracket

2. Place the mounting bracket in the correct location by placing your tire on the tire supports and then adjusting the bracket vertically until the center hub aligns with the center of the bracket.
3. Once the bracket is in place remove the tire and tighten the hardware holding the bracket in place.
4. Place the tire on the support stands and mount the wheel wedge, using the 5" hex head bolt, washer and star washer. Reference Figure 4 and 5.

NOTE: Tighten down bolt until snug with wedge (it should be very hard/near impossible to rotate the wedge by hand. Once at this point tighten 2 more full rotations.

Note: Preferred torque spec is 45 inch pounds

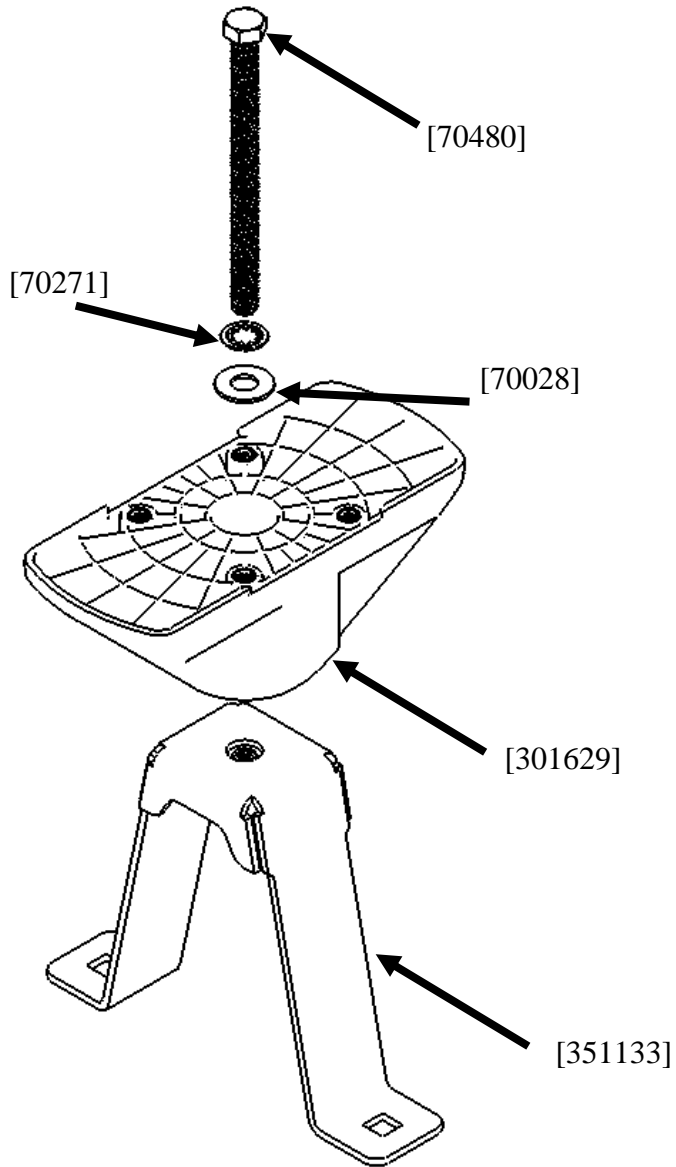


Figure 4: Wheel Wedge Assembly



Figure 5: Tire Mount Assembled

5. [Optional] If desired, you can mount a Rotopax to the wheel wedge. After installing the cover [Step 6], bolt the rotopax mount through the wheel wedge cover to the wheel wedge using the security bolts [70478], as shown below in figure 6. Then simply install the rotopax onto the mount.



Figure 6: Rotopax Mount



6. Once everything is securely fastened, bolt the cover to the wheel wedge using the included special bit [70479], and bolts [70478] . Reference Figure 7.

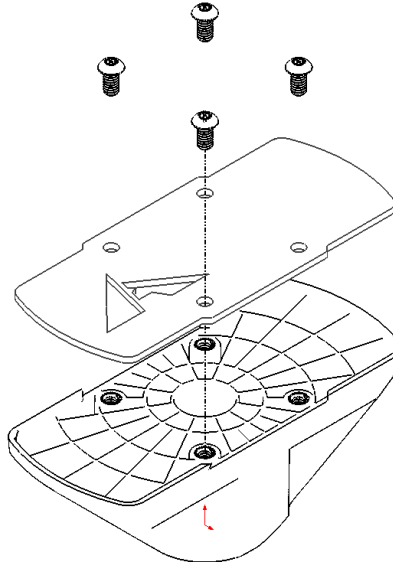


Figure 7: Wheel Wedge, Cover Mounting

General Torque Values			
Size	Stainless Steel	Zinc	Grade 8
#6-32	10 lb-ft	--	--
#8-32	18.4 lb-ft	--	--
#10-32	26.6 lb-ft	--	--
1/4"-20	5.3 lb-ft	7.8 lb-ft	9 lb-ft
5/16"-18	10.9 lb-ft	16 lb-ft	18 lb-ft
3/8"-16	19.4 lb-ft	28.3 lb-ft	33 lb-ft
7/16"-14	31 lb-ft	45 lb-ft	52 lb-ft
1/2"-13	47 lb-ft	69 lb-ft	80 lb-ft
M6	4.7 lb-ft	5.8 lb-ft	--
M8	11.3 lb-ft	14.1 lb-ft	--
M10	22.3 lb-ft	27.9 lb-ft	--
M12	38.9 lb-ft	48.7 lb-ft	--



Aluminess Products, Inc. (Aluminess) Warranty

1. Lifetime Warranty. Aluminess provides a lifetime warranty of its products to the original retail purchaser provided such products are installed correctly according to the official Aluminess installation instructions. Any modification to the original product design, function or use of any Aluminess products will void the Aluminess warranty. Aluminess will have sole discretion to determine warranty eligibility for any and all Aluminess products sold to any purchaser.
2. Limited Remedies. Subject to any limitations and exclusions described herein, and subject to Aluminess' determination of warranty eligibility, Aluminess will remedy defects in product materials and/or workmanship of any product by repairing or replacing such defective product, which shall be within Aluminess' sole discretion, without charge for parts or labor. Aluminess may elect in its sole discretion not to replace a defective product and issue the purchaser a refund equal to the purchase price of any defective product or purchaser may elect to receive a credit (equal to such refund) toward the purchase of new Aluminess products. Repair or replacement of a defective product or providing a refund or credit to purchaser will be purchaser's exclusive remedy under this warranty. Damage to a purchaser's vehicle, cargo and/or any other person or property is expressly excluded from the Aluminess warranty.
3. Modification. Aluminess products are designed to be mounted to factory equipped vehicles. Aftermarket additions to such vehicle may or may not require modification of an Aluminess product. The Aluminess warranty does not extend to any Aluminess products that are modified to fit around other otherwise accommodate or be compatible with any aftermarket vehicle accessories or alterations. Aluminess does not guarantee fitment with any other aftermarket accessories or modified vehicle, and it is up to purchaser to determine fitment prior to purchasing any Aluminess product.
4. Damage. Damage to Aluminess products due to normal wear and tear, including, but not limited to, cosmetic issues and superficial scratches, or structural damage to an Aluminess product in connection with any vehicle collisions or other structural degradation in connection with the use of such vehicle (on road or off road) will not be covered by the Aluminess warranty. Additionally, any product user's misuse, neglect, overloading, improper maintenance or improper installation or repair of any Aluminess products are not covered under the Aluminess warranty.
5. Use of the Products. Aluminess products are designed for off road vehicle use. Installing Aluminess products on a vehicle may exceed the factory designed capabilities of such vehicle and could potentially lead to vehicle damage. Aluminess will not be responsible for any damage caused to a purchaser or user's vehicle or any vehicle accessories caused by the use of any Aluminess products. It is to the sole responsibility of purchaser to inspect and ensure that the intended vehicle and Aluminess products are suitable and compatible for travel on road and off road. No seller nor any manufacturer of Aluminess products will be liable for any loss, damage or injury directly or indirectly arising from the use of any Aluminess products. Before using any Aluminess products, the purchaser or user will determine the suitability of the product(s) for their intended use(s) and the purchaser or user shall assume all responsibility and risk in connection therewith.
6. DISCLAIMER. THE ALUMINESS WARRANTY IS EXPRESSLY MADE IN LIEU OF ANY AND ALL OTHER WARRANTIES, AND EXCEPT FOR THE ALUMINESS WARRANTY SET FORTH HEREIN, ALUMINESS MAKES NO WARRANTY WHATSOEVER WITH RESPECT TO ANY ALUMINESS PRODUCT, INCLUDING ANY WARRANTY OF MERCHANTABILITY AND FITNESS FOR A PARTICULAR PURPOSE, WHETHER EXPRESS OR IMPLIED BY LAW, COURSE OF DEALING, COURSE OF PERFORMANCE, USAGE OF TRADE, OR OTHERWISE.
EXCEPT FOR PURCHASER'S LIMITED REMEDIES SET FORTH HEREIN, IN NO EVENT WILL ALUMINESS BE LIABLE FOR ANY LOST PROFITS, LOST SALES, OR FOR ANY CONSEQUENTIAL, DIRECT, INDIRECT, INCIDENTAL, SPECIAL, EXEMPLARY OR PUNITIVE DAMAGES OR FOR ANY OTHER DAMAGES OF ANY KIND OR NATURE.
7. Compliance. Aluminess cannot guarantee that its products comply with all Federal, State, and/or local laws. Purchaser is advised to review local vehicle codes for compatibility prior to purchase to ensure that the installation and use of any Aluminess products does not violate any applicable laws.
8. Warranty Claim Submission. Purchaser will responsible for returning any defective product to Aluminess for warranty consideration and purchaser may be responsible for all costs associated with shipping the product to and from Aluminess. Prior to returning any product for warranty, purchaser must contact Aluminess Products Inc. for proper authorization.