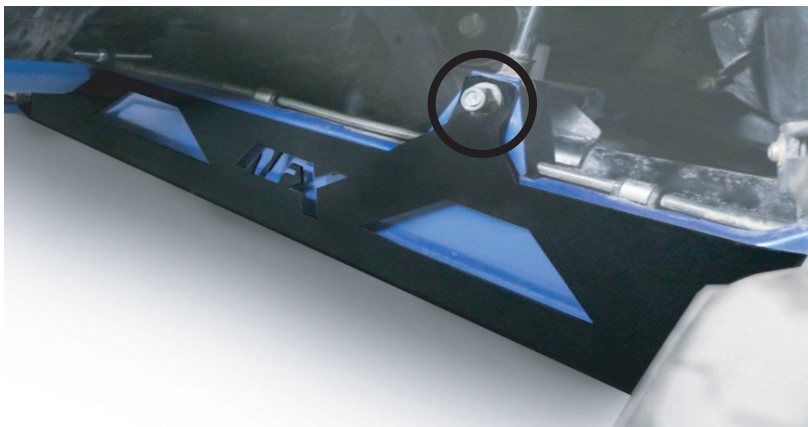
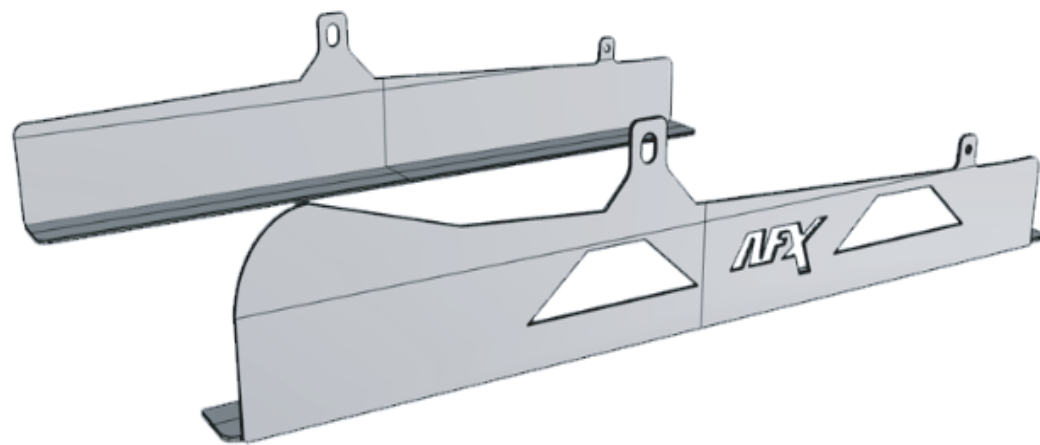


4

Repeat the process with the other suspension and you will have finish installing your suspensions.



TRAILING ARM GUARDS INSTALLATION MANUAL



Now you have completed the installation.

For technical support , please write us to:
info@afxmotorsports.com or call us at:
Ph. 956-242-6521

HAVE FUN AND A SAFE RIDE!



www.afxmotorsports.com

4610 Modern Lane, Laredo, TX 78041 Ph. 956-242-6521

THIS PRODUCT IS FOR OFF ROAD USE ONLY

POLARIS RZR XP PRO 2019-2021

SKI128-C



THANK YOU!

FOR PURCHASING AT AFX MOTORSPORTS

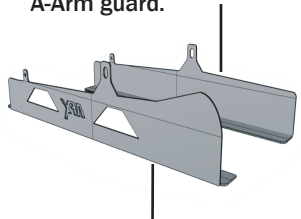


TRAILING ARM GUARDS FOR POLARIS RXR XP PRO 2021

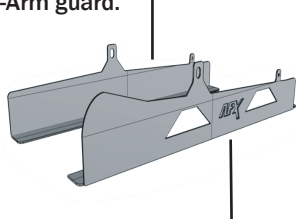
HOW TO INSTALL

Pieces included:

- (1x) Internal Right trailing A-Arm guard.



- (1x) Internal left trailing A-Arm guard.



- (1x) External Right trailing A-Arm guard.

- (1x) External left trailing A-Arm guard.

Hardware:

- (2x) 1/4" x 2 1/2" Screw
- (2x) 1/4" Security Lock
- (4x) 1/4" Washer

Tools needed (Not Included):

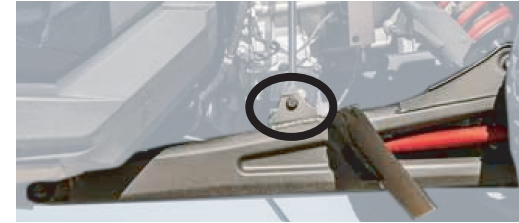
- Allen Key
- Combination Wrench

Liability Statement

AF1 Motorsports products are designed to best fit user's ATV/UTV under stock conditions. Adding, modifying, or fabricating any factory or aftermarket parts will void any warranty provided by AF1 Motorsports and is not recommended. AF1 Motorsports products could interfere with other aftermarket accessories. If user has aftermarket products on machine, contact AF1 Motorsports to verify that they will work together. Although AF1 Motorsports has thousands of satisfied customers, user should be aware that installing bumpers, rock sliders, spare tire carriers, etc. will change the ride of machine and may increase maintenance and part wear. Operating any off-road machine while, or after, consuming alcohol and/or drugs increases risk of bodily harm or death. No warranty or representation is made as to this product's ability to protect user from severe injury or death. AF1 Motorsports urges operators and occupants to wear a helmet and appropriate riding gear at all times. By purchasing and installing AF1 Motorsports products, user agrees that should damages occur, AF1 Motorsports will not be held responsible for loss of time, use, labor fees, replacement parts, or freight charges. AF1 Motorsports, nor any 3rd party, will not be held responsible for any direct, indirect, incidental, special, or consequential damages that result from any product purchased from AF1 Motorsports. The total liability of seller to user for all damages, losses, and causes of action, if any, shall not exceed the total purchase price paid for the product that gave rise to the claim. AF1 Motorsports will warranty only parts provided by AF1 Motorsports. Any damage or problems with OEM housings, bearings, seals, or other manufacturers' products will not be covered by AF1 Motorsports. AF1 Motorsports parts and products are not warrantied if item was not installed properly, misused, or modified.

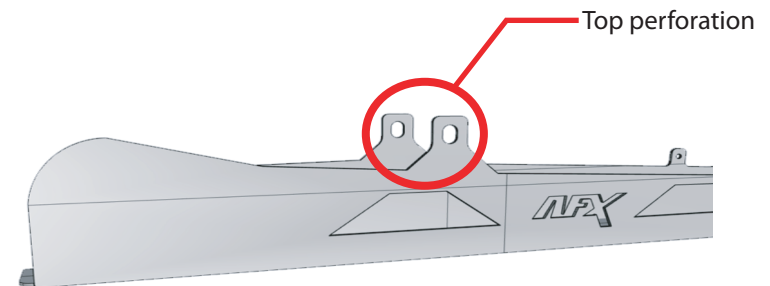
1

Removed the original rear axle bolt.



2

Place the rear suspension on the axle of the vehicle where the top perforation of the part matches the perforation of the screw that was removed (as show in the pictures).



3

Insert the original screw into the top hole and one 1/4" x 2 1/2" screws in the perforations of the rear suspension tightening with double washers and one nut of 1/4".

Screws in the inward direction as shown in the image

