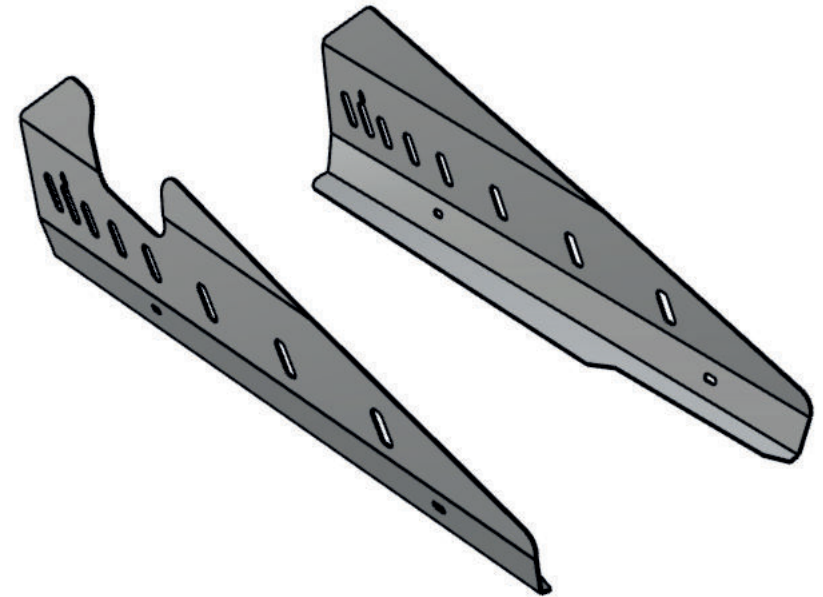




## ALUMINUM ROCK SLIDERS INSTALLATION MANUAL



For technical support , please write us to:  
info@afxmotorsports.com or call us at:  
Ph. 956-242-6521

**HAVE FUN AND A SAFE RIDE!**



www.afxmotorsports.com  
4610 Modern Lane, Laredo, TX 78041 Ph. 956-242-6521

**THIS PRODUCT IS FOR OFF ROAD USE ONLY**

## POLARIS RZR XP 1000 TURBO S 2-Seater

## SKI126-A

# THANK YOU!

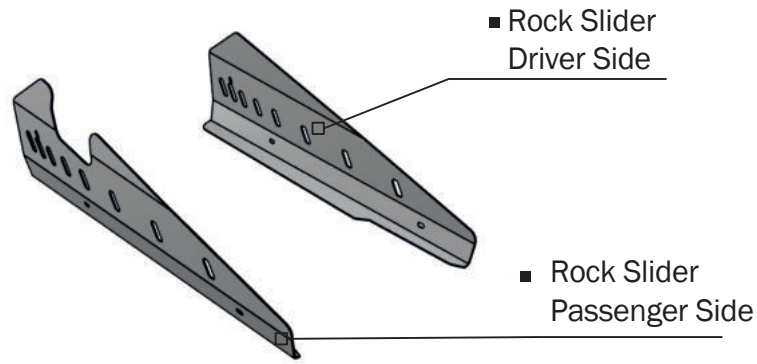
## FOR PURCHASING AT AFX MOTORSPORTS



## ALUMINUM ROCK SLIDERS

### HOW TO INSTALL

Pieces included:



Hardware:

- (4x) 6mm x 50mm Bolts
- (2x) 6mm x 30mm Bolts
- (6x) 1/4" washers

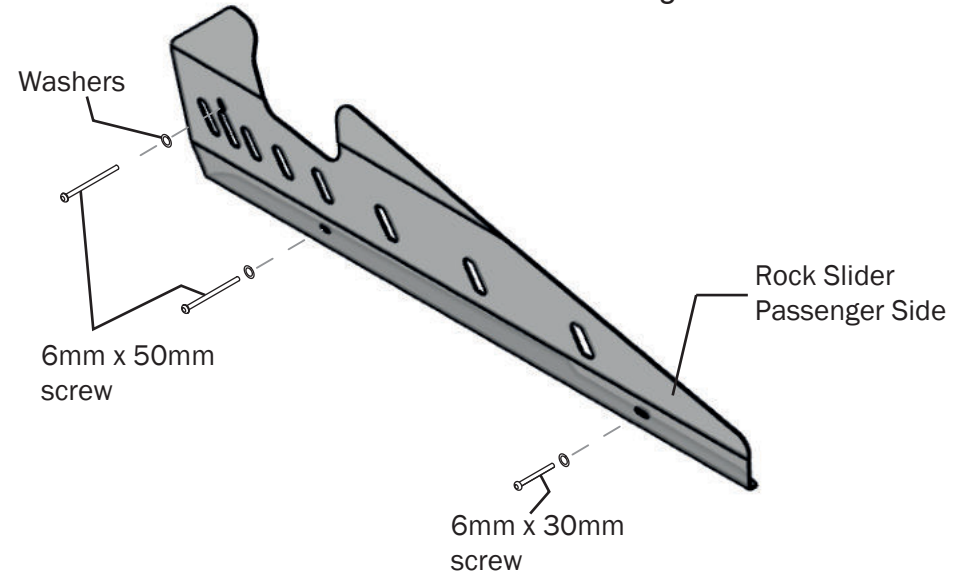
Tools needed (Not included):

- 7/16" Combination Wrench.

#### Liability Statement

AFX Motorsports products are designed to best fit user's ATV/UTV under stock conditions. Adding, modifying, or fabricating any factory or aftermarket parts will void any warranty provided by AFX Motorsports and is not recommended. AFX Motorsports products could interfere with other aftermarket accessories. If user has aftermarket products on machine, contact AFX Motorsports to verify that they will work together. Although AFX Motorsports has thousands of satisfied customers, user should be aware that installing bumpers, rock sliders, spare tire carriers, etc. will change the ride of machine and may increase maintenance and part wear. Operating any off-road machine while, or after, consuming alcohol and/or drugs increases risk of bodily harm or death. No warranty or representation is made as to this product's ability to protect user from severe injury or death. AFX Motorsports urges operators and occupants to wear a helmet and appropriate riding gear at all times. By purchasing and installing AFX Motorsports products, user agrees that should damages occur, AFX Motorsports will not be held responsible for loss of time, use, labor fees, replacement parts, or freight charges. AFX Motorsports, nor any 3rd party, will not be held responsible for any direct, indirect, incidental, special, or consequential damages that result from any product purchased from AFX Motorsports. The total liability of seller to user for all damages, losses, and causes of action, if any, shall not exceed the total purchase price paid for the product that gave rise to the claim. AFX Motorsports will warranty only parts provided by AFX Motorsports. Any damage or problems with OEM housings, bearings, seals, or other manufacturers' products will not be covered by AFX Motorsports. AFX Motorsports parts and products are not warranted if item was not installed properly, misused, or modified.

- 1** Place the aluminum Rock Slider and fasten it using two 6mm x 50mm bolts with washers and one 6mm x 30mm bolt with washer as it is shown in the image.



- 2** Tighten the bolts to finalize the Rock Sliders passenger side installation.

- 3** Repeat steps 1 and 2 on the Rock Sliders Drivers side to finish with the installation