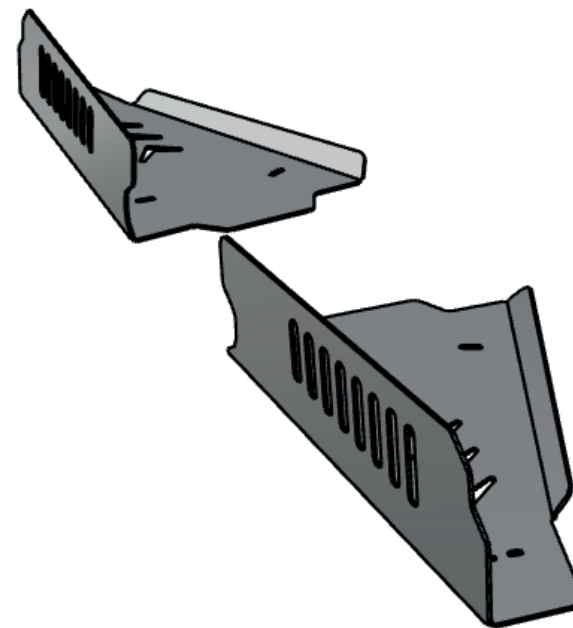




ALUMINUM A-ARM GUARDS INSTALLATION MANUAL



For technical support , please write us to:
info@afxmotorsports.com or call us at:
Ph. 956-242-6521

HAVE FUN AND A SAFE RIDE!



www.afxmotorsports.com

4610 Modern Lane, Laredo, TX 78041 Ph. 956-242-6521

THIS PRODUCT IS FOR OFF ROAD USE ONLY

**POLARIS RZR
XP 1000**

SKI060-B

THANK YOU!

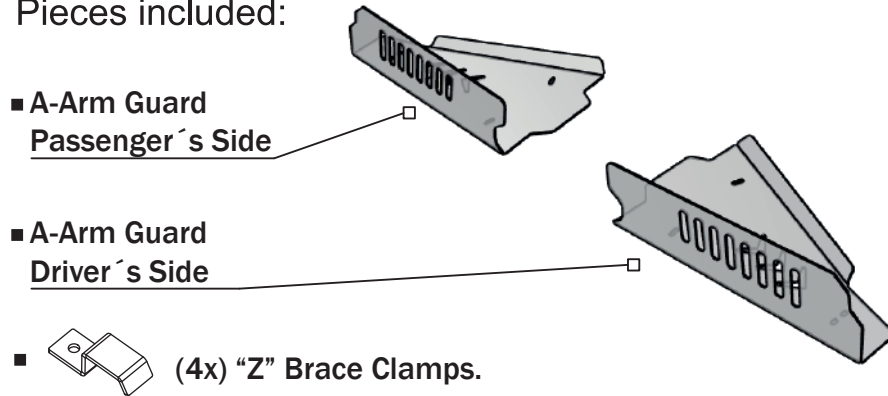
FOR PURCHASING AT AFX MOTORSPORTS



ALUMINUM A-ARM GUARDS FOR POLARIS RZR XP 1000

HOW TO INSTALL

Pieces included:



Hardware:

- (4x) 1/4" x 1 1/2" Bolts with washers and nuts.
- (4x) 1/4" x 1" Bolts with washers and nuts.

Tools needed (Not Included):

- 7/32" Allen Key.
- 9/16" or 14 mm Combination Wrench.

TIP: Install the Bolts Finger tight at first until all hardware has been installed.

Liability Statement

AFX Motorsports products are designed to best fit user's ATV/UTV under stock conditions. Adding, modifying, or fabricating any factory or aftermarket parts will void any warranty provided by AFX Motorsports and is not recommended. AFX Motorsports products could interfere with other aftermarket accessories. If user has aftermarket products on machine, contact AFX Motorsports to verify that they will work together. Although AFX Motorsports has thousands of satisfied customers, user should be aware that installing bumpers, rock sliders, spare tire carriers, etc. will change the ride of machine and may increase maintenance and part wear. Operating any off-road machine while, or after, consuming alcohol and/or drugs increases risk of bodily harm or death. No warranty or representation is made as to this product's ability to protect user from severe injury or death. AFX Motorsports urges operators and occupants to wear a helmet and appropriate riding gear at all times. By purchasing and installing AFX Motorsports products, user agrees that should damages occur, AFX Motorsports will not be held responsible for loss of time, use, labor fees, replacement parts, or freight charges. AFX Motorsports, nor any 3rd party, will not be held responsible for any direct, indirect, incidental, special, or consequential damages that result from any product purchased from AFX Motorsports. The total liability of seller to user for all damages, losses, and causes of action, if any, shall not exceed the total purchase price paid for the product that gave rise to the claim. AFX Motorsports will warranty only parts provided by AFX Motorsports. Any damage or problems with OEM housings, bearings, seals, or other manufacturers' products will not be covered by AFX Motorsports. AFX Motorsports parts and products are not warranted if item was not installed properly, misused, or modified.

1

Install two 1/4" x 1 1/2" bolts with washers and nuts (Included) to fasten the front part of the A-Arm Guard. Be sure that the bolt head will be pointing to the ground. Use the original perforations on the front suspension plates of the vehicle (See figure 1).

2

Fasten the rear part of the A-Arm Guard to the tubes of the front suspension using the "Z" brace clamps provided in the package and the perforations provided in the A-Arm Guard. Use a 1/4" x 1" bolt with washer and nut for each clamp (Included). Be sure that the bolt head will be pointing to the ground. (See figure 1).

3

Finally tighten all the bolts.

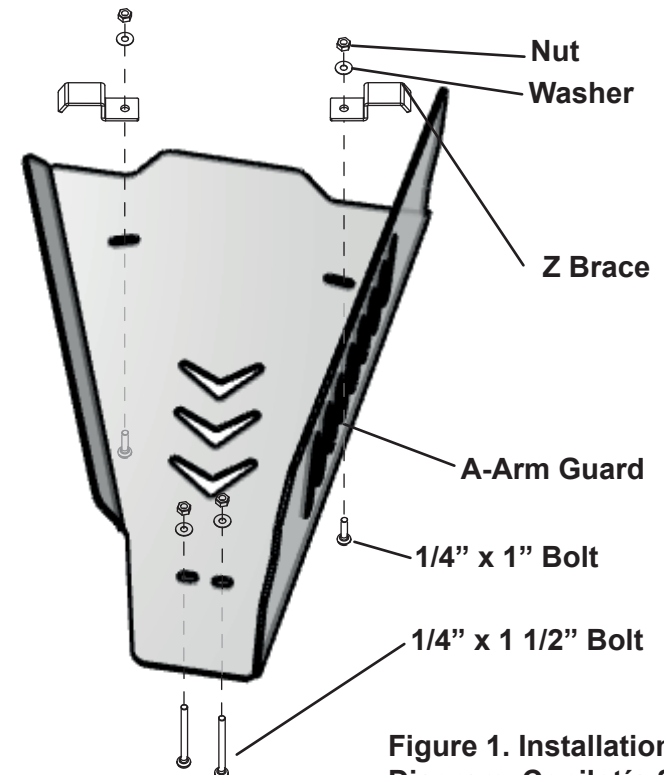


Figure 1. Installation Diagram, Copilot's Side.