

INSTALLATION MANUAL

70113

Level of Difficulty

Difficult

Installation difficulty levels are based on time and effort involved and may vary depending on the installer level of expertise, condition of the vehicle and proper tools and equipment.

Installed Attachment Tabs

Height	13-1/2"
Width	21-1/2"

Parts List

Item	Qty	Description
1	1	Tow bar base plate
2	2	Tow bar mounting tab
3	2	Safety cable, 7,500 lbs.
4	10	Square hole spacer, 1/4" x 1" x 2"
5	10	Flange nut, 3/8"-16, grade 8
6	10	Carriage bolt, 3/8"-16 x 1-1/4", grade 8
7	2	Hex bolt, 1/4"-20 x 1", grade 8
8	1	Flat washer, 1/4"
9	2	Nylock nut, 1/4"-20, grade 8
10	2	Quick link, 1/2"
11	2	Socket plug

Tools Required

Torque wrench	Drill
Socket, 7/16"	Drill bit, 3/8"
Socket, 9/16"	Hole saw, 1-1/4"
Socket, 8mm	Torx, T30
Socket, 10mm	Nut driver, 5/16"
Wrench, 7/16"	Reciprocating saw
Wrench, 9/16"	Flat head screwdriver
Large vise grip	Utility knife
Fishwire, 3/8" (includes ten)	Paint pen

⚠ WARNING

Never exceed the vehicle manufacturer's recommended gross vehicle weight rating (GVWR).

Product Photo



Not pictured: Safety cables, quick links and socket plugs

⚠ CAUTION

Take care when cutting any plastic or metal as injury may occur if done improperly.

NOTICE

Visit www.curtmfg.com for a full-color copy of this instruction manual, as well as helpful videos, guides and much more!

Before you begin installation, read all instructions thoroughly.

Proper tools will improve the quality of installation and reduce the time required.

This installation requires fascia panels, horns and the windshield washer reservoir to be temporarily removed and reinstalled. Some drilling and trimming are also required.

To help prevent damage to the product or vehicle, refer to the specified torque specifications when securing hardware during the installation process.

If equipped, we recommend removing the base plate attachment tabs when not in use.

SAFETY INSTRUCTIONS

Safety glasses should be worn at all times while installing this product.

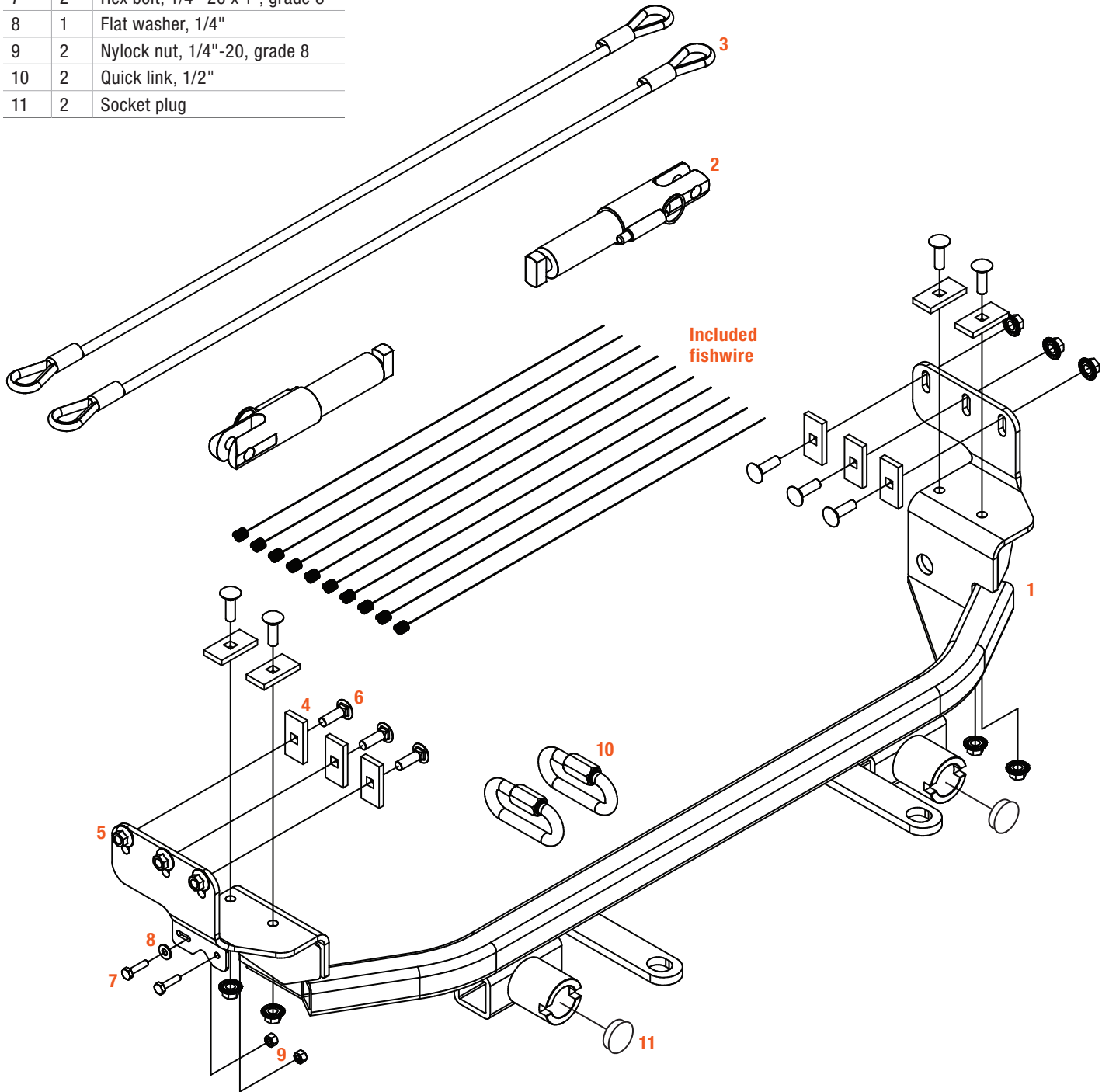
Product Registration and Warranty

CURT stands behind our products with industry-leading warranties. To get copies of the product warranties, register your purchase or provide feedback, visit: warranty.curtgroup.com/surveys

ASSEMBLY

Parts List

Item	Qty	Description
1	1	Tow bar base plate
2	2	Tow bar mounting tab
3	2	Safety cable, 7,500 lbs.
4	10	Square hole spacer, 1/4" x 1" x 2"
5	10	Flange nut, 3/8"-16, grade 8
6	10	Carriage bolt, 3/8"-16 x 1-1/4", grade 8
7	2	Hex bolt, 1/4"-20 x 1", grade 8
8	1	Flat washer, 1/4"
9	2	Nylock nut, 1/4"-20, grade 8
10	2	Quick link, 1/2"
11	2	Socket plug



FASCIA REMOVAL

Step 1

Open the hood and use a T30 Torx bit to remove the two screws holding the headlight in place. Unplug the wiring harness, and set the headlight aside.

Repeat on the other side of the vehicle.



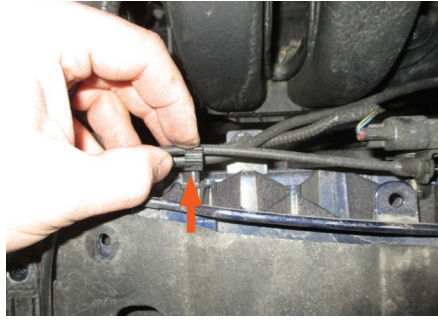
Step 2

Use a T30 Torx bit to remove the five screws in the top fascia cover. Then, remove the two push pins in the corners.



Step 3

Unhook the hood release cable from the latch on the back side of the fascia cover. Then, unsnap the cable from the retainer clips.



Step 4

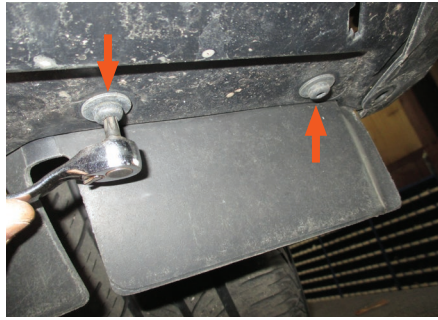
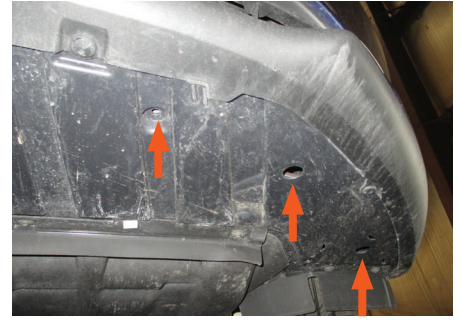
Use a T30 Torx bit to remove the two screws along the inside edge of the wheel well liner.

Then, remove the push pin in the fender fascia joint. Repeat on the other side of the vehicle.



Step 5

Remove the six push pins along the outer edge of the underbody fascia panel, three on each side. Then, use a T30 Torx bit to remove the four screws – two on each side, forward of the front tires.



Step 6

Release the clips beneath the headlight mounting locations, one on each side.

Then, remove the fascia by carefully pulling the corners away from the vehicle. Be sure to unplug any wiring harnesses.

Set the fascia aside.



Step 7

Use an 8mm socket to remove the screw in the driver-side component ahead of the wheel well, near the horn.

Next, remove the screw holding the driver-side horn in place. Set the horn aside.



Step 8

Use a 10mm socket to remove the two screws in the windshield washer reservoir on the passenger side.

Disconnect the wiring harnesses and fluid lines. Set the reservoir aside.

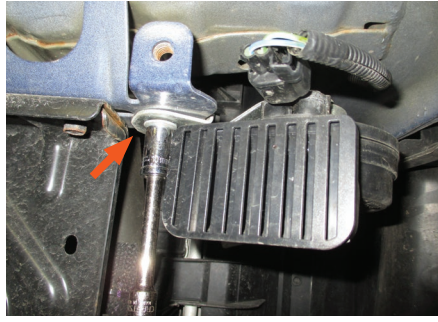
Note: Be sure to have a clean container ready to catch the washer fluid when the lines are disconnected. Set the fluid aside to refill after the installation.



Step 9

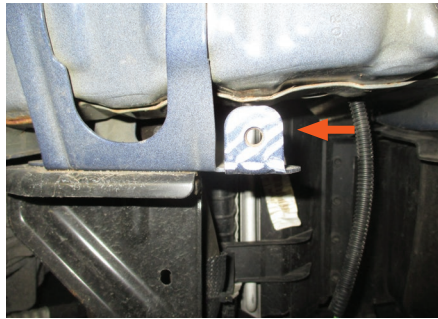
Use a 10mm socket to remove the screws holding the passenger-side horn in place.

Set the horn aside.



Step 10

Use a metal-cutting tool (reciprocating saw or cutoff wheel) to trim off the windshield washer reservoir mounting tab on the passenger side.



Step 11

Unclip the wiring harness from the top of the frame as shown. Then, use the existing hole as a guide to drill a 1-1/4" hole in the frame.

Repeat on the other side of the vehicle.



TOW BAR BASE PLATE INSTALLATION

Step 12

Rotate the tow bar base plate (#1) into position to check if trimming is needed on the plastic bumper shielding.

If needed, remove the base plate and use a paint pen to mark the bottom portion of the plastic shielding, flush with the frame, or as needed. Then, use a utility knife to cut off the marked area.

Repeat on the other side of the vehicle.



Step 13

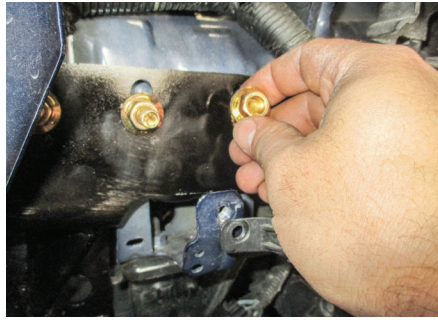
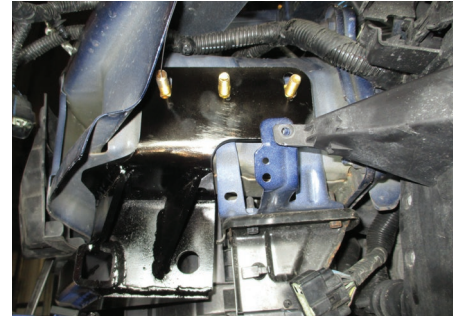
Remove the plastic air intake shroud or trim as needed, if desired.

On ST models: Cut a 1/2" deep x 3-1/4" wide notch in the second and third fins of the active air intake. Also, cut a 1/2" deep notch in the plastic outer frame, as shown. Repeat on the other side.



Step 14

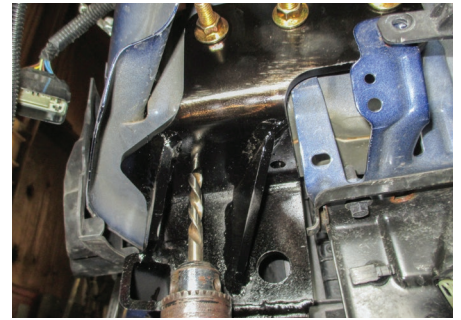
Position the base plate on the frame again and fishwire 3/8" carriage bolts (#6) and square hole spacers (#4) into the three existing holes in the frame on each side of the vehicle. Install the 3/8" flange nuts (#5) but do not fully tighten.



Step 15

Using the two bottom holes as a guide, drill 3/8" holes in the vehicle frame. Next, install the provided 3/8" hardware (#4,#5,#6).

Repeat on the other side of the vehicle. Torque all hardware to 37 lb-ft.



Step 16

Install the permanent safety cables (#3) and quick links (#10), looping them around the vehicle frame and linking them to the tow bar base plate (#1). There must be one cable on each side of the vehicle.

Make sure the cables do not pinch or interfere with any hoses, wiring or other components.

See 'Installing the Permanent Base Plate Safety Cables' for additional information.



Step 17

Reinstall the windshield washer reservoir on the passenger side. Also reinstall the passenger-side horn, attaching it to the base plate with the included 1/4" hardware (7,#8,#9).



Step 18

Reinstall the wheel well component on the driver side. Then, reinstall the driver-side horn onto the webbing as shown.



Step 19

Hold up the front fascia in its original position and mark where it will need to be trimmed to make space for the safety cable loops and attachment tabs. Trim off the marked areas. Then, reinstall the fascia and fascia cover, making sure to reconnect the electrical harnesses.

When ready to tow, install the tow bar mounting tabs (#2). When not towing, insert the socket plugs (#11) into the ends of the tow bar base plate (#1).

Final Installed Image



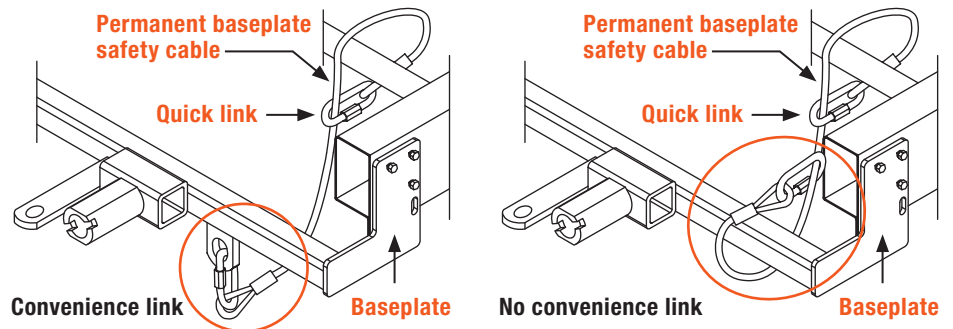
SAFETY CABLE INSTALLATION

Installing the Permanent Base Plate Safety Cables

When dinghy towing a vehicle with a tow bar, base plate safety cables should be used at all times. In the event of a disconnect, the safety cables are designed to help prevent complete vehicle separation. When installing the safety cables, use the illustrations below as a guide.

Installation guidelines

1. The cables must be connected to the base plate and the vehicle frame.
2. Two cables must be installed.
3. Each cable must meet or exceed the gross weight of the towed vehicle.
4. Make sure cables do not pinch or interfere with hoses, wiring or other components.



Note: Base plate safety cables are not a replacement for safety chains connecting the tow vehicle to the towed vehicle.

ADDITIONAL INFORMATION

Towing Tips

Check your equipment

Periodically check the condition of all towing equipment. Ensure all fasteners are tight and that all structural components are sound. Do not tow with worn or damaged parts.

Vehicle manufacturer's recommendations

Review the owner's manual for your towed vehicle and towing vehicle for specific recommendations, capacities and requirements.