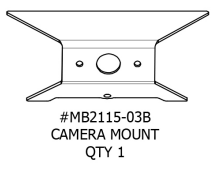
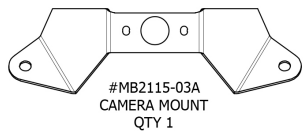
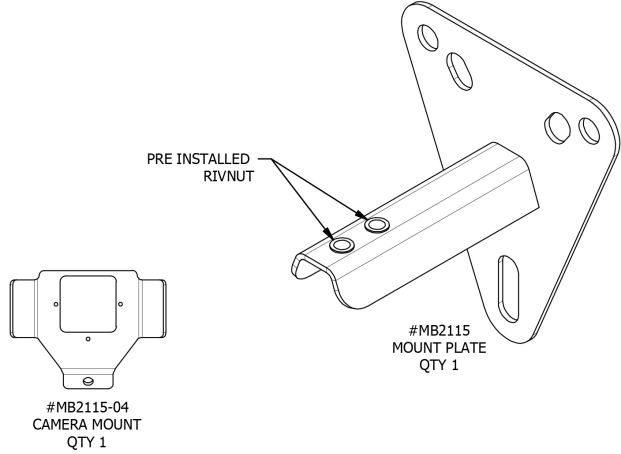
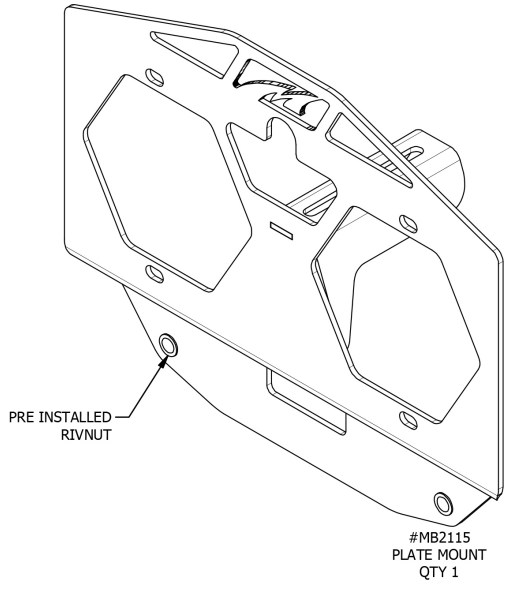


# MB2115 Jeep JL Spare Tire Relocation Bracket Kit With Camera Mount



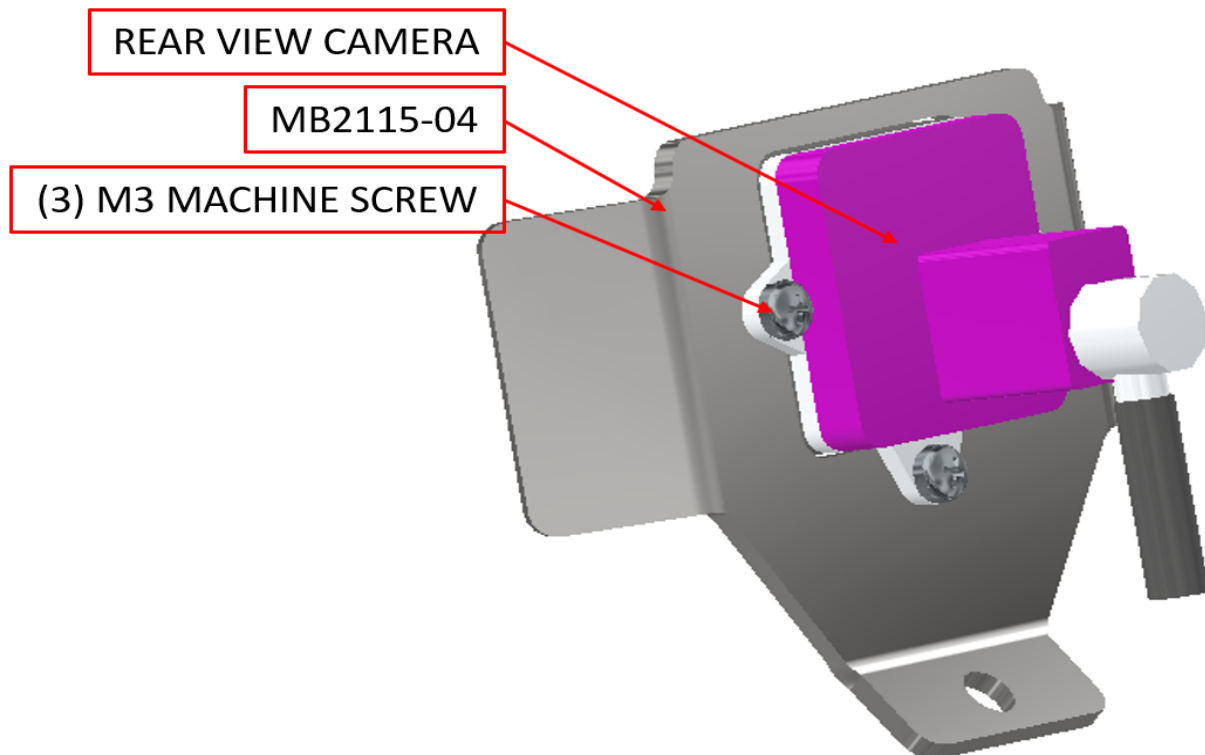
**MB2115 Jeep JL Spare Tire Relocation Bracket Kit With Camera Mount****NOTE**

**For 2021 models, see LAST PAGE for camera installation.**

**All parts should be test fitted *before* paint or powder coating.**

1. After test fitment, paint or powder coat parts to protect exposed steel from corrosion
2. Remove the spare tire from the jeep
3. Unplug then remove the factory rear view camera from the housing

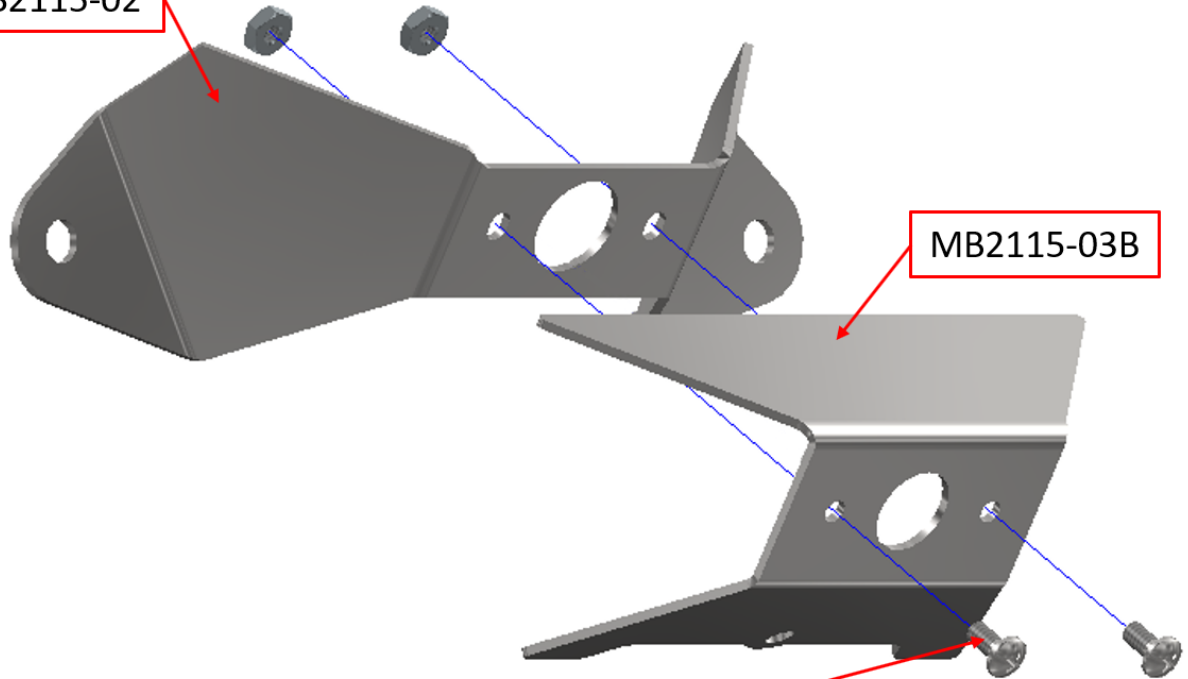
- 4** Mount the factory rear view camera to MB2115-04 using (3) M3-0.5 x 6mm machine screws that have been provided.



**MB2115 Jeep JL Spare Tire Relocation Bracket Kit With Camera Mount**

- 5** Using two (2) of the provided #10-24 x 1/2" machine screws and #10-24 nuts, bolt MB2115-03B to MB 2115-02.

MB2115-02

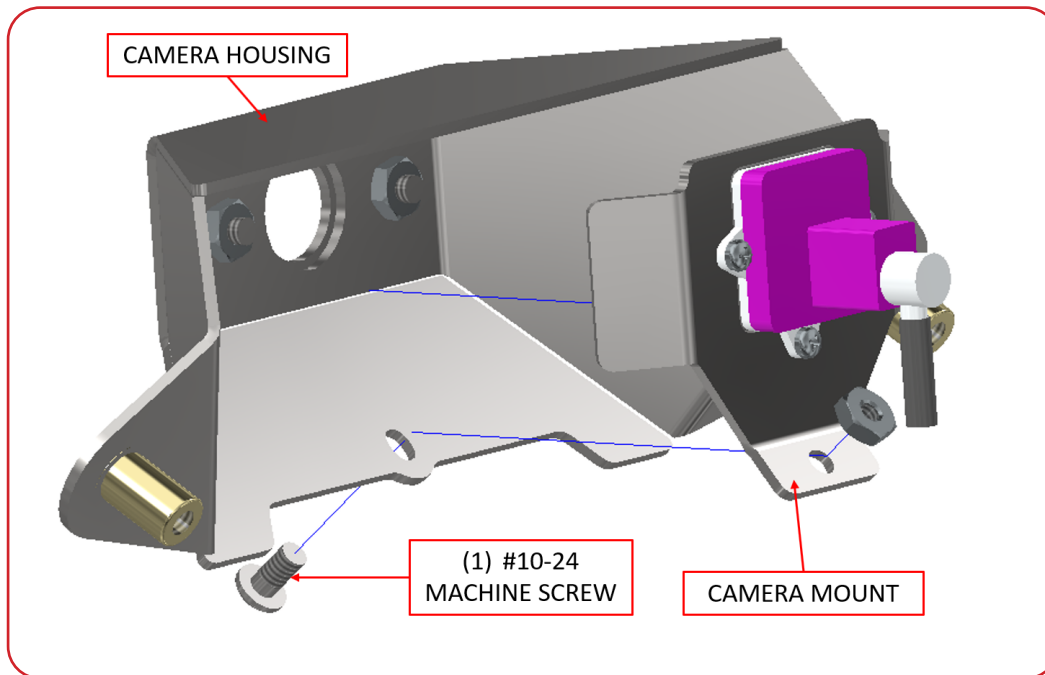


MB2115-03B

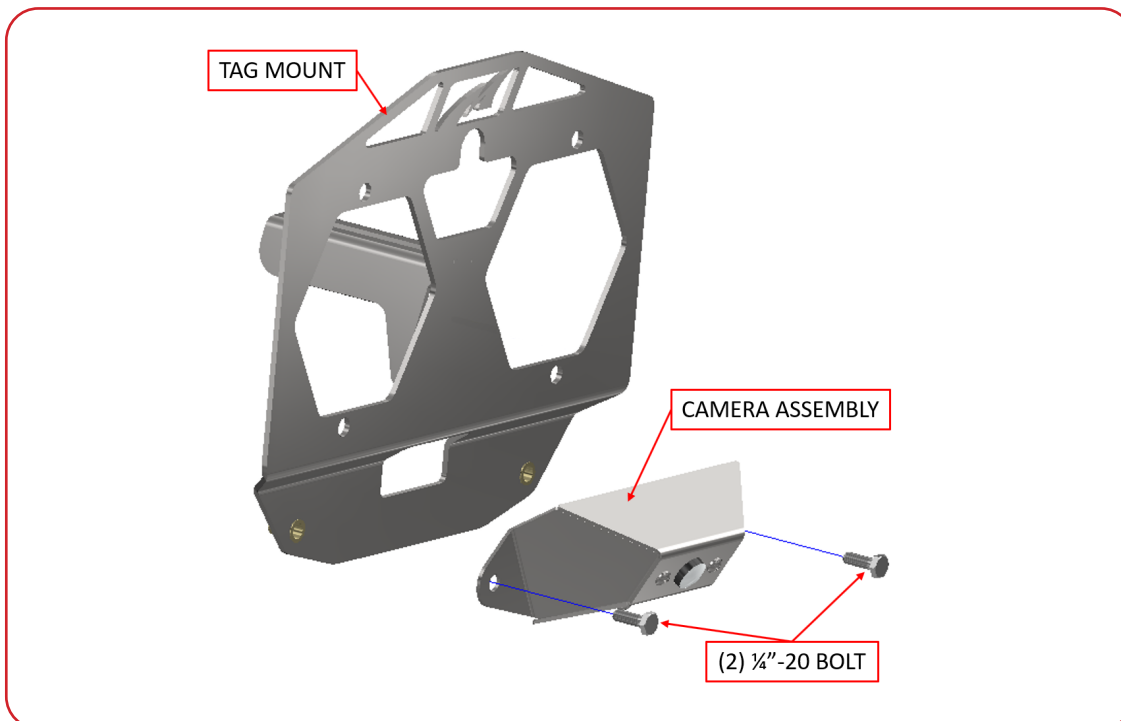
(2) #10-24 MACHINE SCREW

**MB2115 Jeep JL Spare Tire License Plate Relocation Bracket Kit With Camera Mount**

- 6** Fasten the two assemblies from the previous two steps using one (1) of the provided #10-24 X 1/2" screws.

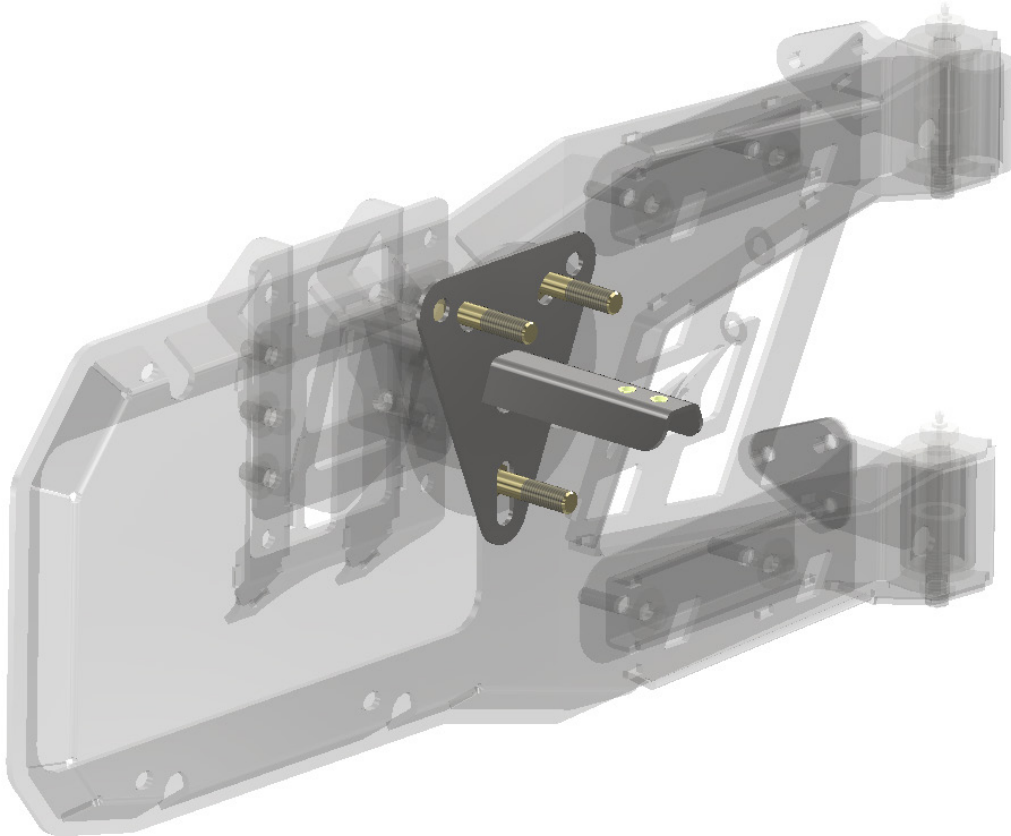


- 7** Fasten the camera assembly to the tag mount using two (2) provided 1/4"-20 x 3/4" bolts.



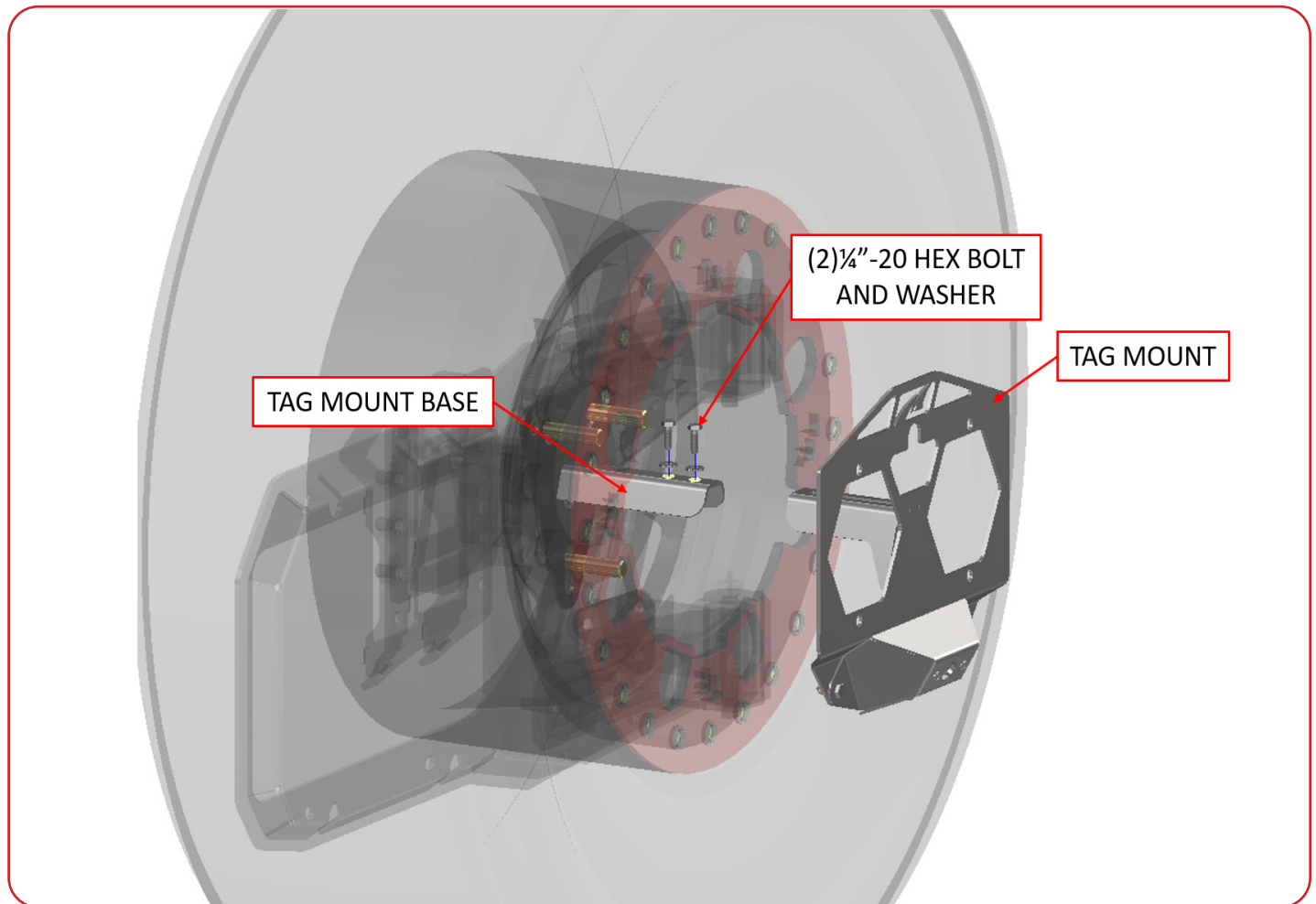
**MB2115 Jeep JL Spare Tire License Plate Relocation Bracket Kit With Camera Mount**

- 8** Slide the tag mount base over the spare tire studs and remount the spare tire over the tag mount base. (Shown with MB1089 Jeep JL spare tire carrier sold separately)



**MB2115 Jeep JL Spare Tire License Plate Relocation Bracket Kit With Camera Mount**

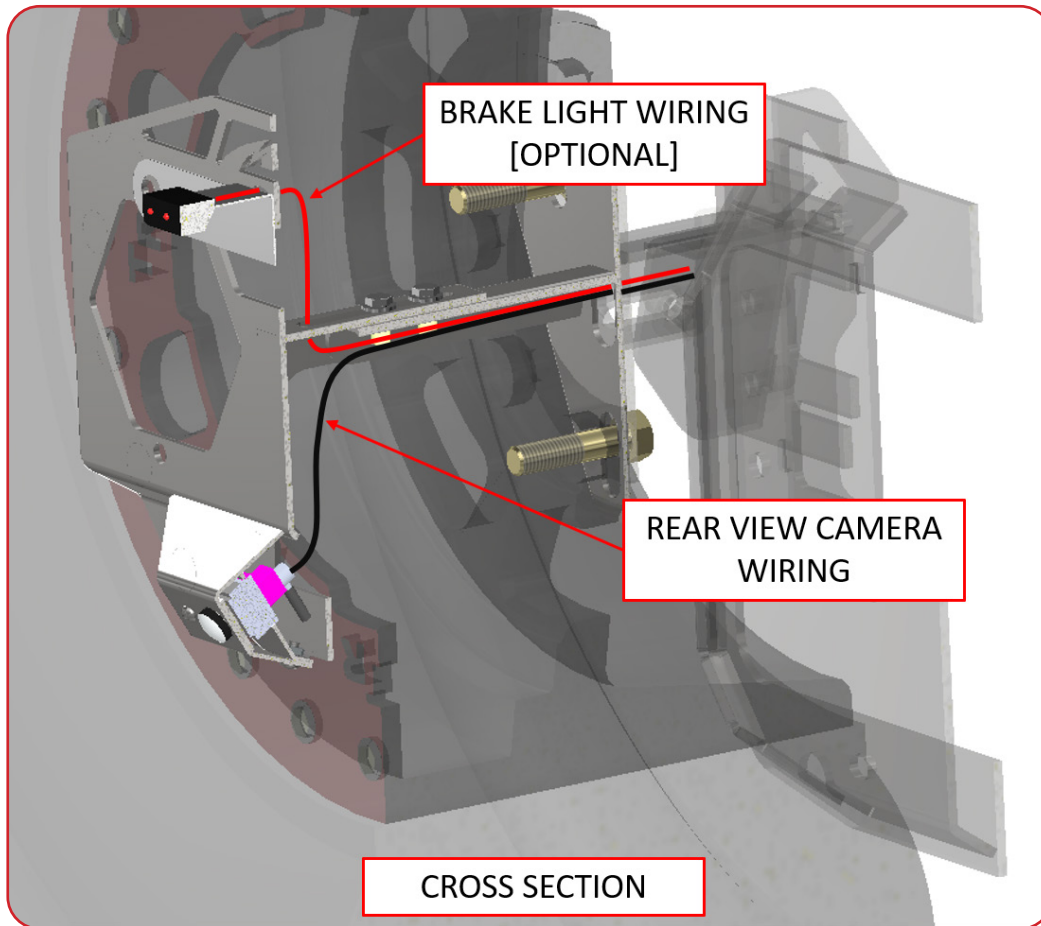
- 9** Mount the two tag mount assemblies together using two (2) provided  $\frac{1}{4}$ "-20 x  $\frac{3}{4}$ " bolts and washers.



- 10** Plug in the rear view camera into the factory harness. Route the wiring through the center of the tire and through the center of the base.

**MB2115 Jeep JL Spare Tire License Plate Relocation Bracket Kit With Camera Mount**

- 11** Install the (optional) LD-PL6 off road only LITEDOT PLATE light and license plate using four (4) 1/4"-20 bolts and 1/4"-20 nylock nuts.

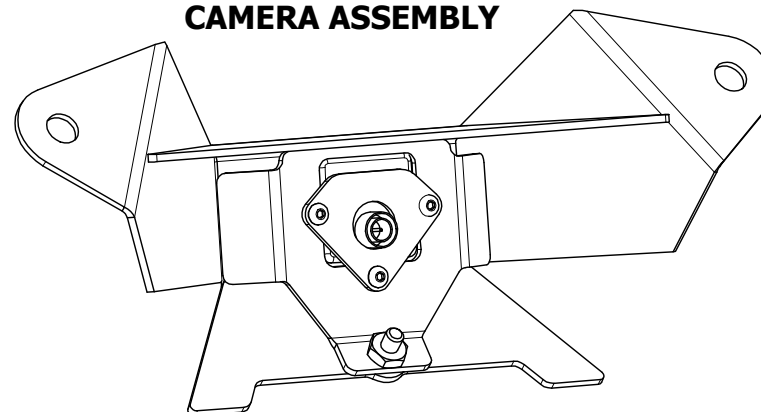


## UPDATE FOR 2021+ JL BACKUP CAMERA

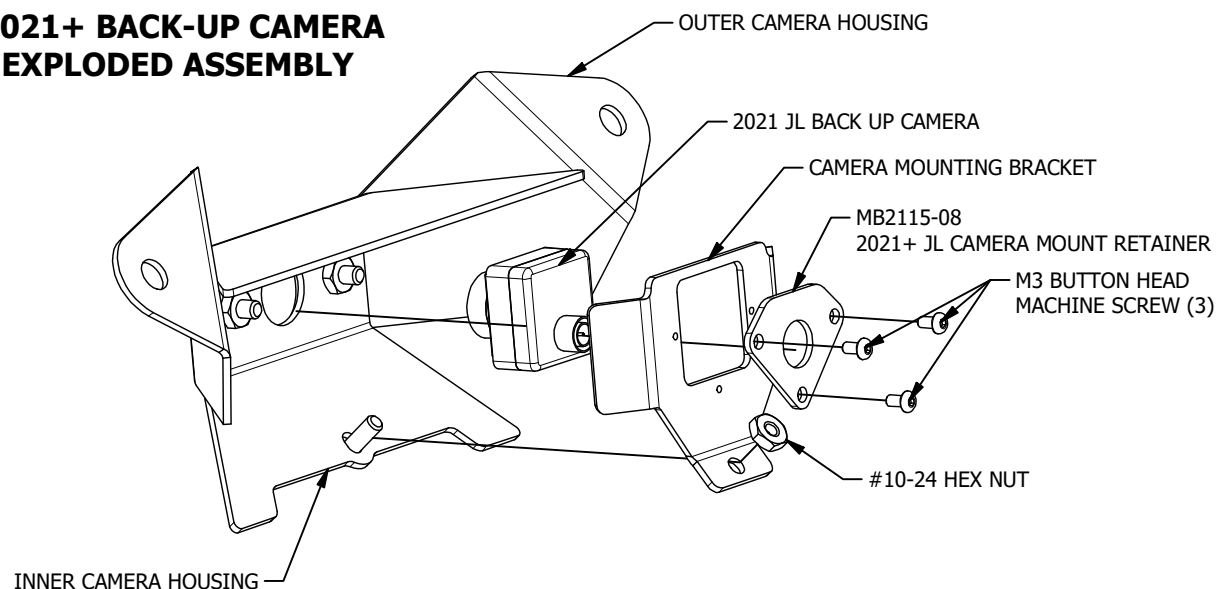
THE REAR BACK UP CAMERA WAS UPDATED FOR 2021 JL MODELS. IF YOU HAVE THE NEW STYLE BACK UP CAMERA FOLLOW THESE STEPS TO INSTALL THE BACK UP CAMERA IN YOUR MOTOBILT LICENSE PLATE BRACKET OR TIRE CARRIER.

1. BOLT THE OUTER CAMERA HOUSING TO THE INNER CAMERA HOUSING USING TWO (2) #10-24 BOLTS AND HEX NUTS.
2. BOLT THE CAMERA MOUNTING BRACKET TO THE INNER CAMERA HOUSING USING ONE (1) #10-24 BOLT AND HEX NUT.
3. PLACE THE 2021+ CAMERA INSIDE THE SQUARE HOLE OF THE CAMERA MOUNTING BRACKET.
4. USING THREE (3) M3 MACHINE SCREWS, FASTEN MB2115-08 TO THE CAMERA MOUNTING BRACKET CLAMPING THE CAMERA IN PLACE.

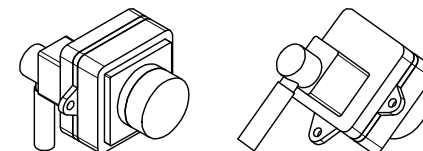
## 2021+ BACK UP CAMERA ASSEMBLY



## 2021+ BACK-UP CAMERA EXPLODED ASSEMBLY

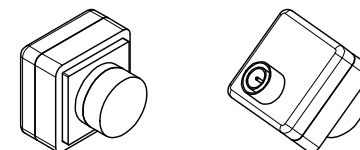


## IDENTIFYING YOUR CAMERA



### 2018-2020 BACK UP CAMERA

MOPAR PART# 68452959AB; 68288397AC;  
68414411AA; 68452959AA



### 2021+ BACK UP CAMERA

MOPAR PART# 04672852AB; 04672852AB



Dwg/Part No:

**2021 JL Camera**

Description:

**2021 JL Camera Updated Assembly**

Sheet No: **1** of **1**

Rev No:

Mat'l: