

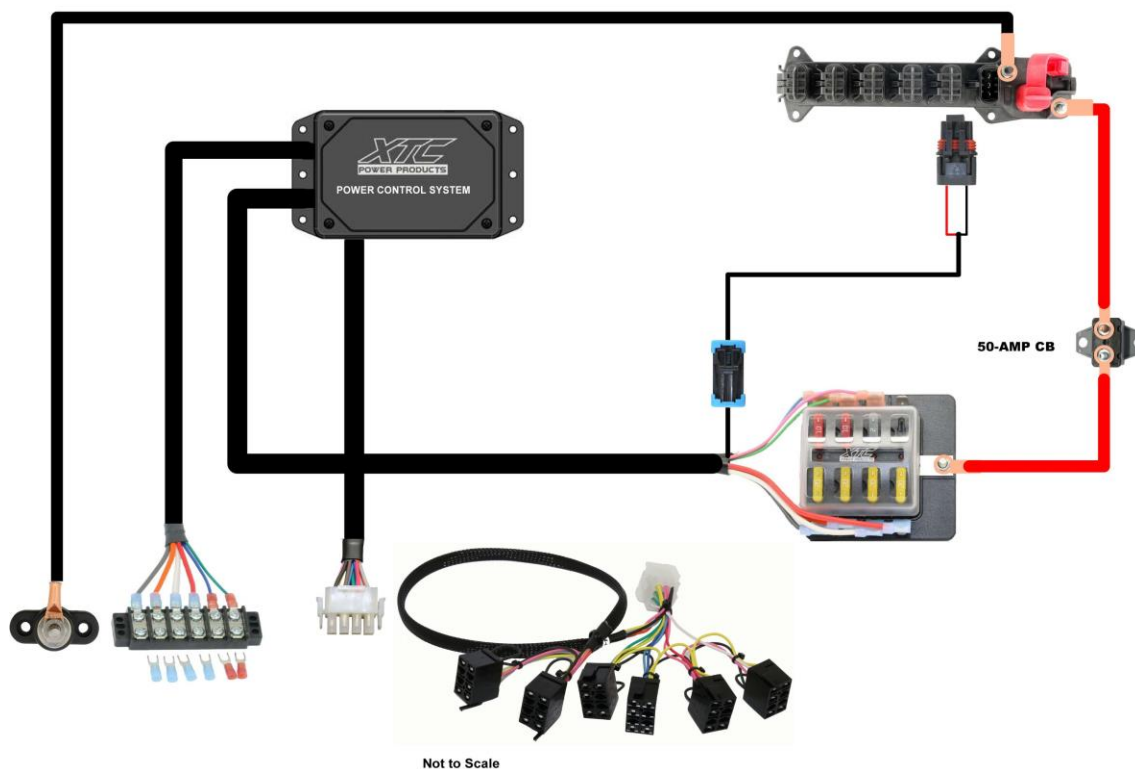


## PCS-64-PRO Power Control System

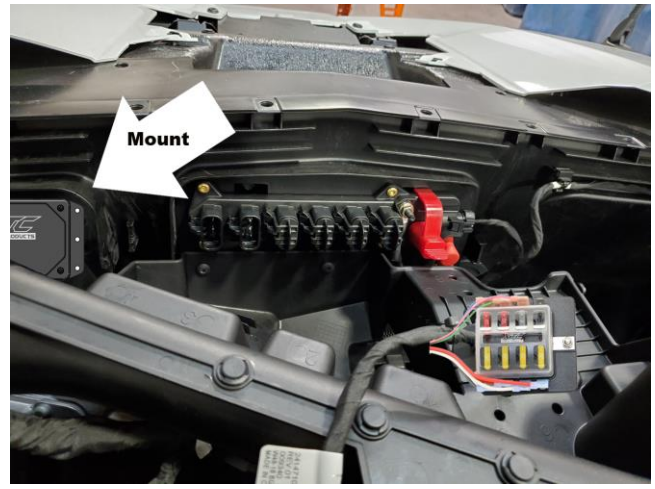
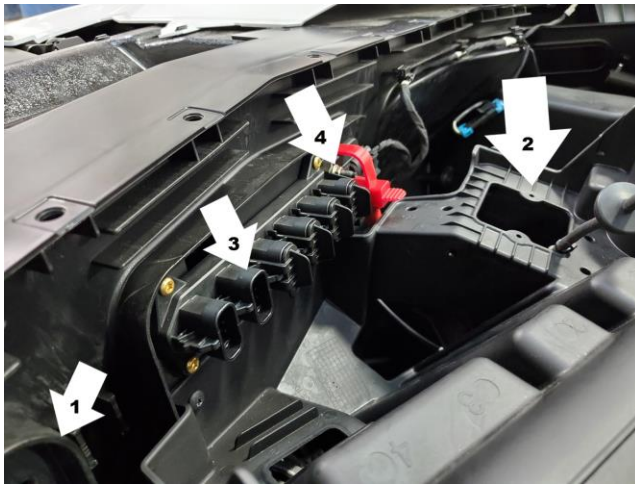
Thank you for purchasing XTC's Power Control System. The kit comes complete with everything needed for installation. All switch circuit/housings are wired for bottom row lighting for use with optional up-graded Carling lit switches. The system has six circuits, two 10 amp direct and four 20-amp relayed circuits with Diode protection that reduce voltage spikes from field collapse, protecting LED lights and other sensitive accessories. The kit includes power wire with a 50 Amp Circuit breaker for overall circuit protection. More installation information can be found at [www.xtcinstall.com](http://www.xtcinstall.com)

**Please read the instructions fully and familiarize yourself with the components before starting the install.**

**Remember that the System can be mounted in other places not shown. The install instructions below is just one of many places that the system can be installed.**



1. Remove the hood and dash cover and **Disconnect the Battery.**
2. Mount the Power Control System - box on the fire wall as indicated in the photo at Arrow 1. Make sure when drilling mounting holes or using self-tapping screws, that there is enough room behind the panel for the screw or drill.



3. Mount the Fuse Box on the spot marked by the #2 Arrow. The reason for mounting it at this position is that you can get to the fuse box through the door on the dash without removing the dash cover.
4. Mount the 50-Amp Circuit Breaker, run the Red 8GA power cable from the fuse box power post to the Circuit Breaker then to the factory Busbar Positive terminal indicated by Arrow 4. Make sure that the 50 Amp Circuit Breaker is wired so that the Copper Terminal on the Circuit Breaker goes to the Positive Busbar Supply. The other side of the Circuit Breaker goes to the Fuse box.
5. Plug in the Pulse Connector. Remove one of the plugs from the Factory Busbar and Plug in the PCS-64.
6. Mount the Terminal Block as shown with the supplied screws.



7. Mount the 5/16" Ground Stud – next to the Terminal Block. Run the 8GA Black cable from the 5/16" stud to the center Negative stud on the Factory Busbar. Use the provided 5/16" Ring terminals to attach grounds to each device.
8. Mount the switches in the Dash by removing the Switch Blanks. Switch 1 and 2 are extended to mount on the left-hand side of the Dash. Because the switch mount locations are counter sunk, we have included 12 Seals, 2 for each switch to use as a spacer to keep the switches from binding on the trim!



9. Connect the power wire from the devices to be controlled to the appropriate terminal on the terminal strip making sure to attach the devices ground to the ground stud provided. Switch 1 through 4 should be used for your larger accessories and are on power relays, switch 5 and 6 the power goes through the switch and are used for smaller items like whip light, interior lighting or stereo. The following are the switch designations. On the PCS-64 Switches 1 and 2 are on an extended wire so they can be mounted left side of the steering wheel.

1. Terminal 1 is Grey and is on relay 1 controlled by switch 1 with a 30-amp fuse
2. Terminal 2 is Orange and is on relay 2 controlled by switch 2 with a 20-amp fuse
3. Terminal 3 is White and is on relay 3 controlled by switch 3 with a 20-amp fuse
4. Terminal 4 is Red and is on relay 4 controlled by switch 4 with a 20-amp fuse
5. Terminal 5 is Blue and is direct and controlled by switch 5 with a 10-amp fuse. **Not included on PCS-44**
6. Terminal 6 is Green and is direct and controlled by switch 6 with a 10-amp fuse. **Not included on PCS-44**

10. Re-Connect Battery

11. Verify operation and reinstall dash and hood.

**NOTE:** The PCS-64 comes with our new Fuse Block equipped with a Blown Fuse Indicator. If any of the fuses are blown, the LED will come on when the device's switch is turned on.

**Cables and switches can be purchased at [www.xtcpowerproducts.com](http://www.xtcpowerproducts.com)**

We can be reached by email at [support@xtcpowerproducts.com](mailto:support@xtcpowerproducts.com)

XTC Power Products  
A Division of XTC Motorsports LLC  
380 E Comstock Dr.  
Chandler AZ 85225  
480-558-8588  
[www.xtcpowerproducts.com](http://www.xtcpowerproducts.com)

\*Disclaimer: This kit is intended for off-road use only, and XTC Motorsports claims no responsibility for its use. It is up to the purchaser to ensure it complies with all Federal, State, and Local laws. R3m

Copyright © 2022 XTC MOTORSPORTS LLC, all rights reserved.