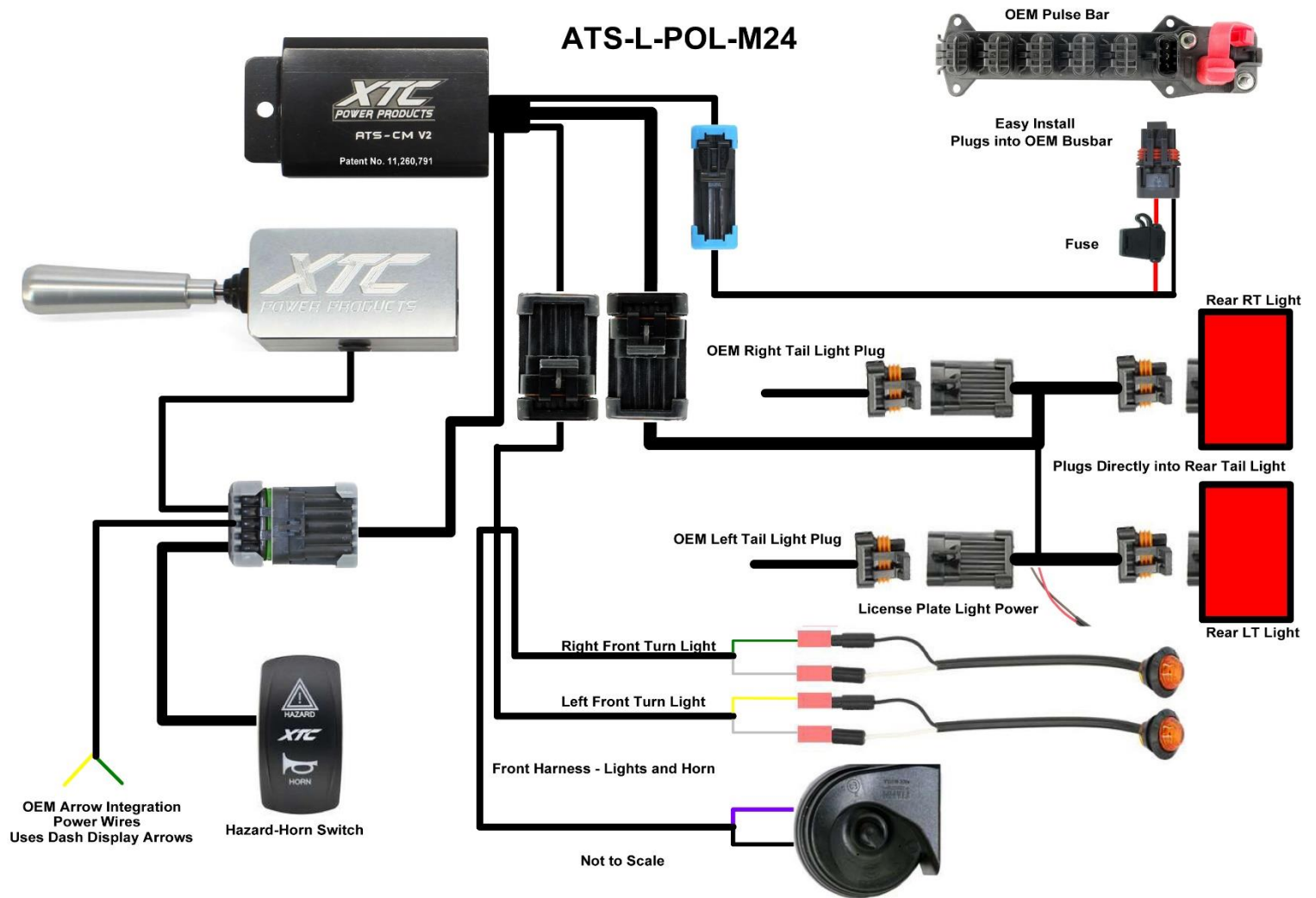




RZR PRO R Turn Signal System

Thank you for purchasing XTC Power Products Automatic Self-Canceling Turn Signal System. Our Easy Install Turn Signal System is unique from the other kits on the market. This kit is from our Plug & Play™ product line, no wires to cut, no crimping, plugs into OEM Pulse Power System for Power. We use our Patented System that plugs into the OEM Taillights, utilizing the Brake Lights as Brake and Turn Signals.

Please read the instructions fully and familiarize yourself with the components before starting the install. The diagram below shows the overall system layout.



1. **Install Rear Light Harness** - Take the long rear harness with five connectors and unroll. XTC's Harness is installed In-Line with each rear taillight. At the Drivers Side rear OEM taillight, unplug the 4-Pin connector and plug the connector with a green wire into the taillight, then plug the removed factory connector into the Harness. Run the other 4 Pin connectors with a yellow wire across to the passenger side, follow the factory wire harness, and plug into passenger side taillight, then plug the removed factory connector into the Harness, secure the harness with included Zip Ties.

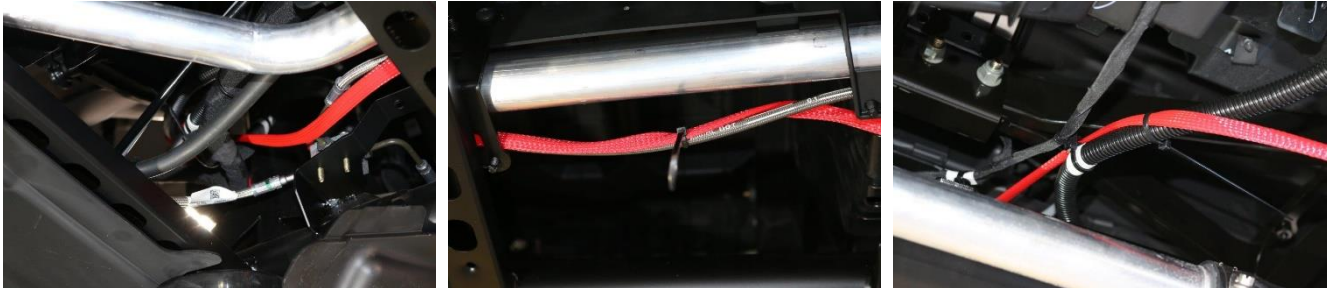


WARNING! Make sure to keep the harness away from any hot or moving parts

2. **Rear Light Harness** – Remove the skid plate under the car by removing approximately 21 10mm screws, using a 10mm nut driver. Run the Rear Harness to the inside center console, following the frame to the clutch air intake, follow the wires to brake line, secure with Zip Ties.



Follow the brake line down the chassis, at the mid-section there is a battery cable going over the drive shaft



Cross over to the passenger side, secure harness to brake line and battery cable, continue to the front.



Make sure to run the harness inside of the frame away from the control arm, going through the rubber grommet in the fire wall



Open the Dash storage and remove the tray, run the harness up into the compartment. Plug into the Control Module.

WARNING! Verify that there is clearance where you want to mount the front LED lights before drilling the holes!

3. Front LED Turn Lights – The front LED Turn Indicators can be mounted with the rubber grommet or without. If the grommet is **not** being used drill 5/8” holes. If the grommet is being used drill 3/4” holes. Remove and install the rubber grommet from the LED into the hole if being used. Insert LED into the hole with the Top marking up. NOTE: the TOP marking is on the front of the LED lens. Drill and install the Front LED Lights.

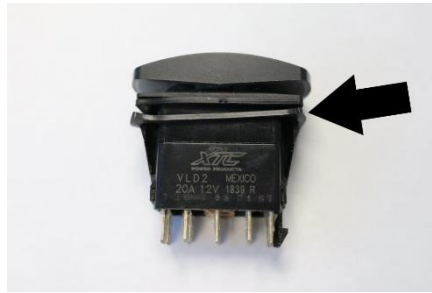


Run the short harness through the rubber fire wall grommet and plug into the Control Module shown above. Make sure to run both wires over the front frame/shock mount to keep away from moving shock. Run the connector with the green and white wire to the right side of the car to the right LED turn light, run the connector with the yellow and white to the left side LED turn light, connect the green wire to right black wire and yellow wire to left black wire and white to white on both. **NOTE: The Black LED wire is positive and goes to the yellow and green wires, they will not work if reversed, white is ground. Secure the Harness using the provided cable ties.**

4. Mount Billet Turn Lever – Run the Billet Lever wire from inside the dash to the steering wheel, remove the screw that holds the steering wheel tilt lever, discard the hardware removed, install the lever bolt through the removed bolt hole, make sure to put the new bushing in the center and secure with the included nut. Line Lever housing up and tighten mounting nut. Secure wire harness with included cable ties.



5. Install the Horn/Hazard Switch. Remove 1 of the switch plugs.

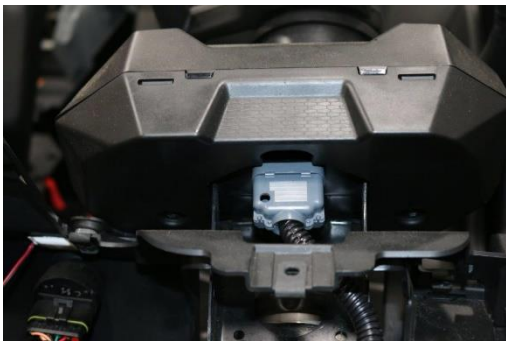


Run Switch Harness—Plug the Switch Harness into the Control Module, run Horn/Hazard connector through the rectangle switch cutout and use included grease on switch terminals then connect Switch and slide into dash. **NOTE:** The switch cut outs are counter sunk, we have supplied 2 switch seals to be used as spacers to keep it raised out of the indent to keep it from getting stuck.

Connect to OEM Dash Indicators - Note: The connector has power in it, disconnect the battery during installation.

There is a 4-wire harness that has Green, Yellow, Tan and Black wires coming out of it. The Pro uses the Green and Yellow wires to light the Arrows in the OEM instrument cluster. Tan and Black are not used on this model.

6. Unplug Connector – From the rear of the Instrument Cluster



7. Remove Connector Lock – Using a small screwdriver push in on both sides at the white connector shown below and slide lock off



8. Remove Plugs – Using a pair of needle nose pliers remove the plugs from wire port 6 and 7, insert green wire terminal into 6 and yellow wire terminal into port 7.



9. Close Cover – Run ATS wires alongside the OEM harness and snap shut, re-install plastic locking cover and plug back in.

10. Install the Horn. On the upper frame in the passenger wheel well is a ground strap, remove the bolt and install with the ground strap. Connect the Violet and Black wire to horn terminals, position does not matter.



11. Plug the Power Harness into the Control Module. Run the power wire to the Busbar, remove one of the blanks and plug into the Busbar.



12. **Verify Operation:** The System uses momentary switches to activate. Turn the car key to the on position, Press the Right or Left Actuator accordingly. You can cancel the signal at any time by pushing the activated switch a second time or it will cancel as follows:

Press 1 Second for Lane Change, will stay on approx. 8 Seconds / 10 Flashes

Press 2 Seconds for Slowing to Turn Corners, will stay on approx. 20 Seconds / 30 Flashes

Press 5 Seconds for Traffic Lights when stopping and waiting, will stay on approx. 75 Seconds / 110 Flashes

The Systems Automatic Self-Cancelling may be overridden/Shut Off at any time by pushing the activated switch.

Hazard Lights - press to activate and press again to deactivate, it does not self-cancel. Test the Horn

13. Mount the Control Module using the screw provided. Mount just to the side of one of the holes for Relays



14. Using the provided Cable Tie's secure the harness completely. Reinstall any removed parts.

We can be reached by email at support@xtcpowerproducts.com

XTC Power Products - A Division of XTC Motorsports LLC

380 E Comstock Dr.

Chandler AZ 85225 480-558-8588

www.xtcpowerproducts.com

*Disclaimer: This kit is intended for off road use only and XTC Motorsports claims no responsibility for it use. It is up to the purchaser to make sure it complies with all Federal, State and Local laws. R1