

PORSCHE PANAMERA

WALD SPORTS LINE
BLACK BISON EDITION

INSTALLATION MANUAL
WALD
Sportliche Autoausrüstung WALD.International

THANK YOU FOR PURCHASING. THIS IS THE INSTALLATION MANUAL OF WALD FRONT BUMPER FOR PORSCHE PANAMERA.
PLEASE READ THIS MANUAL CAREFULLY BEFORE THE INSTALLATION.

ATTENTION



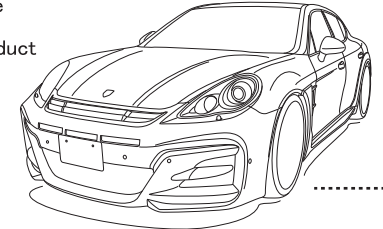
- ※ NO RETURNS CAN BE ACCEPTED BECAUSE OF IMPROPER INSTALLATION OR PAINTING.
- ※ CHECK THE FITMENT, AND ADJUST ALL THE DETAILS BEFORE PAINTING.
- We assume no responsibility for any damage resulting from improper installation, painting, modification and any cut wound in unsealing.
- Contact the car dealer when you have any question in removing OEM parts.
- During all the installation process, use parking brake and stop the engine completely.
- Use rasps or sandpapers to fit the products to the body if there is an individual difference.
- The product is made of FRP. Handle with care. Do not give the excessive force.
- Gradually fix the bolts and nuts by checking the fitment and balance of the installation.
- Check the fitment, and adjust all the details of the fitment steady and proper.
- Please check the fitment and all the details regularly, fix the bolts and nuts as necessary.
- The instruction of painting is just our recommendation, please paint it as you like.
- ※ PLEASE BE AWARE OF:
- You may lose the warranty and all the services from the car maker, because of replacing OEM parts.
- Reduced road clearance may cause inconvenience in using parking curbs and garage jack.
- FRP, ABS and PPE products are slightly weaker than OEM parts in crashes.
- The product may not match the body and OEM color perfectly.

Please purchase double sided tape, primer and caulking glue at auto accessory shop or hardware store.

Completely degrease and paint primer on all the installation positions to enhance the viscosity of double sided tape.
Use dryer to warm double sided tape to enhance the viscosity in low temperature.
Keep the car in a dry condition more than 24 hours after gluing.
Do not wash the car during this time.

	PARTS	QUANTITIES
FRONT BUMPER	FRONT BUMPER	1
	MESHES	1 SET
	LED LAMPS WITH RESISTORS	1 SET
	LICENSE PLATE BRACKET	1
	BOLTS (M6 x 12) & NUTS	2 SETS

Use caulking glue to fill the gap between the product and the body.



FRONT BUMPER

【BEFORE PAINTING】

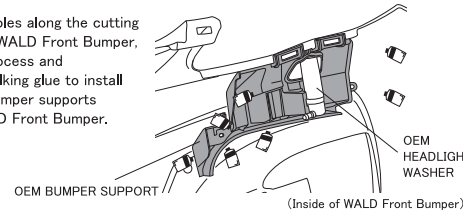
- 1) Remove OEM front bumper according to the Porsche service manual.
- 2) Make holes along the cutting line on WALD Front Bumper for the car equipping headlight washers and PTS.
- 3) Process and temporarily install the OEM bumper supports of headlight washers to WALD Front Bumper.
- ※ Do not use caulking glue at this moment yet.
- 4) Temporarily install WALD Front Bumper to the body.
- ※ Adjust the details of WALD Front Bumper to fit the body by rasps or sandpapers.
- 5) Make holes along the cutting line on WALD Front Bumper to install the license plate bracket.
- ※ Paint the license plate bracket to prevent corrosion.

【AFTER PAINTING】

- 6) Use caulking glue to install the meshes, LED lamps, OEM headlight washers and PTS to WALD Front Bumper.
- ※ Make sure the LED lamps are fine to work before the installation.
- 7) Temporarily tighten all the tapping screws, bolts and nuts to install WALD Front Bumper to the body.
- 8) Check all the details of the fitment, then fix them.

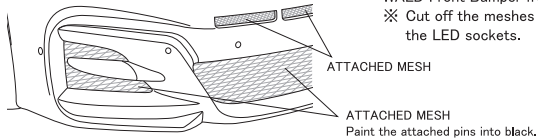
■ HOW TO INSTALL OEM HEADLIGHT WASHERS (STEP 3, 6)

Make holes along the cutting line on WALD Front Bumper, then process and use caulking glue to install OEM bumper supports to WALD Front Bumper.

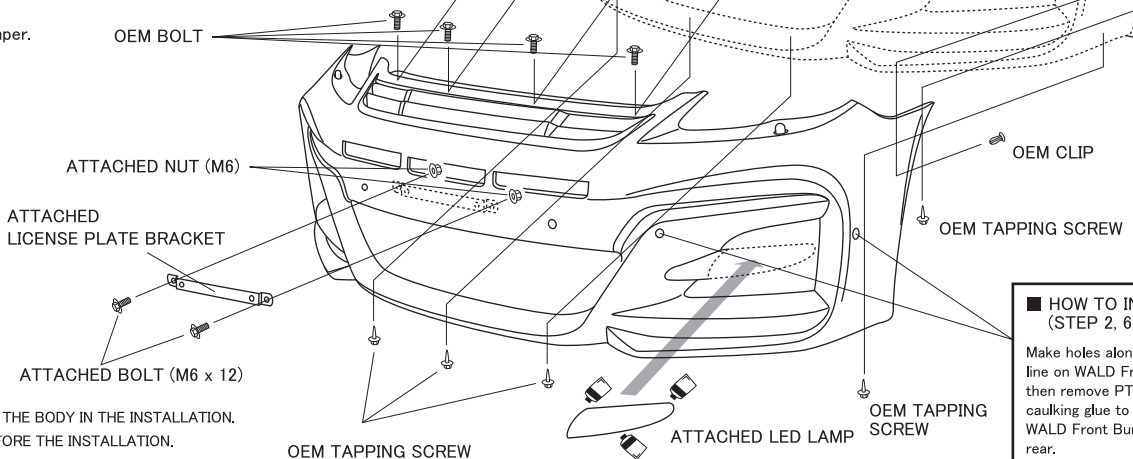


■ LOCATION OF THE MESHES (STEP 6)

Use caulking glue to install the meshes to WALD Front Bumper from the rear.
※ Cut off the meshes if they obstruct the LED sockets.



ATTENTION ※ MORE THAN 2 TECHNICIANS ARE NECESSARY IN THIS WORK. PLEASE BE CAREFUL NOT TO DAMAGE THE BODY IN THE INSTALLATION.
※ DEGREASE ALL THE INSTALLATION POSITIONS, AND REMOVE THE BODY PROTECTION COATING BEFORE THE INSTALLATION.
※ ADJUST THE DETAILS OF FITMENT IF THERE IS AN INDIVIDUAL DIFFERENCE.



■ HOW TO INSTALL PTS (STEP 2, 6)

Make holes along the cutting line on WALD Front Bumper, then remove PTS and use caulking glue to fix them to WALD Front Bumper from the rear.

PORSCHE PANAMERA

WALD SPORTS LINE
BLACK BISON EDITION

INSTALLATION MANUAL
WALD
Sportliche Autoausrüstung WALD.International

THANK YOU FOR PURCHASING. THIS IS THE INSTALLATION MANUAL OF WALD SIDE STEPS FOR PORSCHE PANAMERA.
PLEASE READ THIS MANUAL CAREFULLY BEFORE THE INSTALLATION.

ATTENTION



- ※ NO RETURNS CAN BE ACCEPTED BECAUSE OF IMPROPER INSTALLATION OR PAINTING.
- ※ CHECK THE FITMENT, AND ADJUST ALL THE DETAILS BEFORE PAINTING.
- We assume no responsibility for any damage resulting from improper installation, painting, modification and any cut wound in unsealing.
- Contact the car dealer when you have any question in removing OEM parts.
- During all the installation process, use parking brake and stop the engine completely.
- Use rasps or sandpapers to fit the products to the body if there is an individual difference.
- The product is made of FRP. Handle with care. Do not give the excessive force. Gradually fix the bolts and nuts by checking the fitment and balance of the installation.
- Check the fitment, and adjust all the details of the fitment steady and proper. Please check the fitment and all the details regularly, fix the bolts and nuts as necessary.
- The instruction of painting is just our recommendation, please paint it as you like.
- ※ PLEASE BE AWARE OF:
- You may lose the warranty and all the services from the car maker, because of replacing OEM parts.
- Reduced road clearance may cause inconvenience in using parking curbs and garage jack.
- FRP, ABS and PPE products are slightly weaker than OEM parts in crashes.
- The product may not match the body and OEM color perfectly.

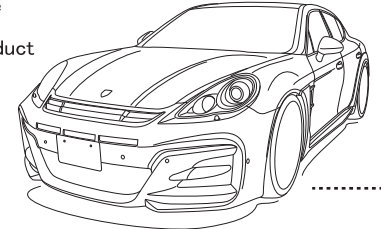
Please purchase double sided tape, primer and caulking glue at auto accessory shop or hardware store.

Completely degrease and paint primer on all the installation positions to enhance the viscosity of double sided tape.
Use dryer to warm double sided tape to enhance the viscosity in low temperature.
Keep the car in a dry condition more than 24 hours after gluing.
Do not wash the car during this time.

	PARTS	QUANTITIES
SIDE STEP	SIDE STEPS	1 SET



Use caulking glue to fill the gap between the product and the body.



SIDE STEP

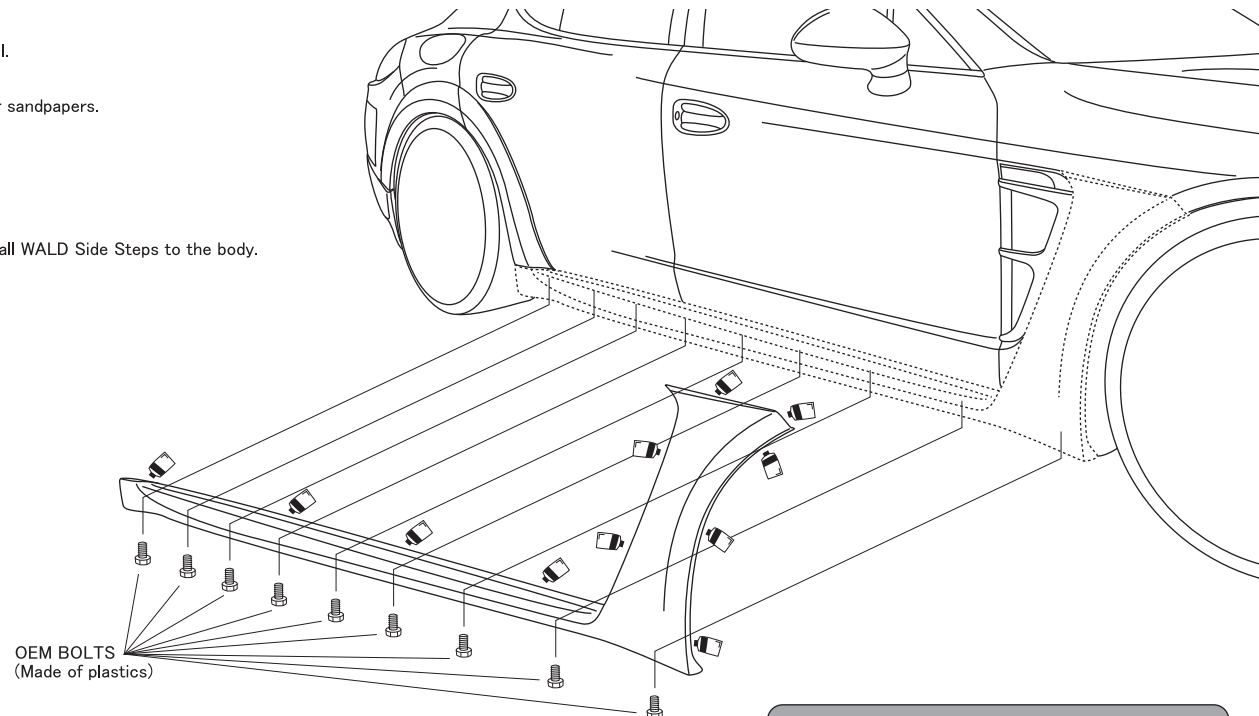
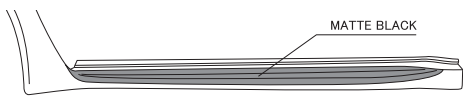
[BEFORE PAINTING]

- 1) Remove OEM side steps according to the Porsche service manual.
- 2) Temporarily install WALD Side Steps to the body.
- ※ Adjust the details of WALD Side Steps to fit the body by rasps or sandpapers.
- 3) Paint WALD Side Steps according to the picture.

[AFTER PAINTING]

- 4) Completely degrease the installation positions.
- 5) Check all the details of the fitment, then use caulking glue to install WALD Side Steps to the body.
- 6) Fix OEM bolts from the bottom of WALD Side Steps.

※ WALD SHOWCAR IS PAINTED LIKE THE PICTURE (STEP 3)



ATTENTION



- ※ MORE THAN 2 TECHNICIANS ARE NECESSARY IN THIS WORK, PLEASE BE CAREFUL NOT TO DAMAGE THE BODY IN THE INSTALLATION.
- ※ DEGREASE ALL THE INSTALLATION POSITIONS, AND REMOVE THE BODY PROTECTION COATING BEFORE THE INSTALLATION.
- ※ ADJUST THE DETAILS OF FITMENT IF THERE IS AN INDIVIDUAL DIFFERENCE.

After the installation, use silicon glue to cover the gap between WALD Side Steps and the body.

WALD INTERNATIONAL

PORSCHE PANAMERA

WALD SPORTS LINE
BLACK BISON EDITION

INSTALLATION MANUAL
WALD
Sportliche Autoausrüstung WALD International

THANK YOU FOR PURCHASING. THIS IS THE INSTALLATION MANUAL OF WALD REAR BUMPER FOR PORSCHE PANAMERA.
PLEASE READ THIS MANUAL CAREFULLY BEFORE THE INSTALLATION.

ATTENTION



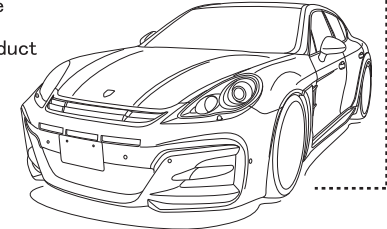
- ※ NO RETURNS CAN BE ACCEPTED BECAUSE OF IMPROPER INSTALLATION OR PAINTING.
- ※ CHECK THE FITMENT, AND ADJUST ALL THE DETAILS BEFORE PAINTING.
- We assume no responsibility for any damage resulting from improper installation, painting, modification and any cut wound in unsealing.
- Contact the car dealer when you have any question in removing OEM parts.
- During all the installation process, use parking brake and stop the engine completely.
- Use rasps or sandpapers to fit the products to the body if there is an individual difference.
- The product is made of FRP. Handle with care. Do not give the excessive force. Gradually fix the bolts and nuts by checking the fitment and balance of the installation.
- Check the fitment, and adjust all the details of the fitment steady and proper. Please check the fitment and all the details regularly, fix the bolts and nuts as necessary.
- The instruction of painting is just our recommendation, please paint it as you like.
- ※ PLEASE BE AWARE OF:
 - You may lose the warranty and all the services from the car maker, because of replacing OEM parts.
 - Reduced road clearance may cause inconvenience in using parking curbs and garage jack.
 - FRP, ABS and PPE products are slightly weaker than OEM parts in crashes.
 - The product may not match the body and OEM color perfectly.

Please purchase double sided tape, primer and caulking glue at auto accessory shop or hardware store.

Completely degrease and paint primer on all the installation positions to enhance the viscosity of double sided tape.
Use dryer to warm double sided tape to enhance the viscosity in low temperature.
Keep the car in a dry condition more than 24 hours after gluing.
Do not wash the car during this time.

	PARTS	QUANTITIES
REAR BUMPER	REAR BUMPER	1
	MESHES	1 SET
	LED LAMP	1

Use caulking glue to fill the gap between the product and the body.



REAR BUMPER

【BEFORE PAINTING】

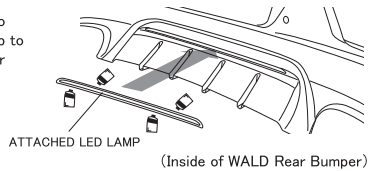
- 1) Remove OEM rear bumper according to the Porsche service manual.
- 2) Make holes along the cutting line on WALD Rear Bumper for the car equipping PTS.
- 3) Temporarily install WALD Rear Bumper to the body.
- ※ Adjust the details of WALD Rear Bumper to fit the body by rasps or sandpapers.
- 4) Paint WALD Rear Bumper according to the picture.

【AFTER PAINTING】

- 5) Use caulking glue to install the meshes, LED lamp and PTS to WALD Rear Bumper.
- ※ Make sure the LED lamp is fine to work before the installation.
- 6) Temporarily tighten OEM tapping screws and clips to install WALD Rear Bumper to the body.
- 7) Check all the details of the fitment, then fix them.

■ HOW TO INSTALL THE LED LAMP (STEP 5)

Use caulking glue to install the LED lamp to WALD Rear Bumper from the rear.

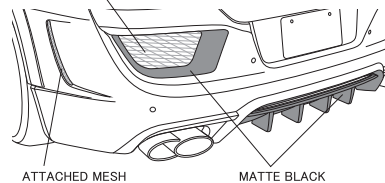


※ WALD SHOWCAR IS PAINTED LIKE THE PICTURE (STEP 4)

■ LOCATION OF THE MESHES (STEP 5)

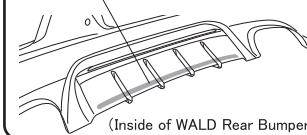
Use caulking glue and attached pins to install the meshes to WALD Rear Bumper from the rear.

ATTACHED MESH
※ Paint the pins into black.



Paint the heat shield panels into black by heat resistant spray.

※ Use double sided tape to fix WALD Rear Bumper undercover.



OEM TAPPING SCREW

OEM CLIP

ATTACHED LED LAMP

OEM TAPPING SCREW

ATTENTION



- ※ MORE THAN 2 TECHNICIANS ARE NECESSARY IN THIS WORK. PLEASE BE CAREFUL NOT TO DAMAGE THE BODY IN THE INSTALLATION.
- ※ DEGREASE ALL THE INSTALLATION POSITIONS, AND REMOVE THE BODY PROTECTION COATING BEFORE THE INSTALLATION.
- ※ REMOVE THE BATTERY BEFORE ALL THE WIRING WORKS.
- ※ ADJUST THE DETAILS OF FITMENT IF THERE IS AN INDIVIDUAL DIFFERENCE.

■ HOW TO INSTALL PTS (STEP 2, 5)

Make holes along the cutting line on WALD Rear Bumper, then remove PTS and use caulking glue to fix them to WALD Rear Bumper from the rear.

PORSCHE PANAMERA

WALD SPORTS LINE
BLACK BISON EDITION

INSTALLATION MANUAL
WALD
Sportliche Autoausrüstung WALD.International

THANK YOU FOR PURCHASING. THIS IS THE INSTALLATION MANUAL OF WALD FENDER PANELS FOR PORSCHE PANAMERA.
PLEASE READ THIS MANUAL CAREFULLY BEFORE THE INSTALLATION.

ATTENTION



- ※ NO RETURNS CAN BE ACCEPTED BECAUSE OF IMPROPER INSTALLATION OR PAINTING.
- ※ CHECK THE FITMENT, AND ADJUST ALL THE DETAILS BEFORE PAINTING.
- We assume no responsibility for any damage resulting from improper installation, painting, modification and any cut wound in unsealing.
- Contact the car dealer when you have any question in removing OEM parts.
- During all the installation process, use parking brake and stop the engine completely.
- Use rasps or sandpapers to fit the products to the body if there is an individual difference.
- The product is made of FRP. Handle with care. Do not give the excessive force.
- Gradually fix the bolts and nuts by checking the fitment and balance of the installation.
- Check the fitment, and adjust all the details of the fitment steady and proper.
- Please check the fitment and all the details regularly, fix the bolts and nuts as necessary.
- The instruction of painting is just our recommendation, please paint it as you like.
- ※ PLEASE BE AWARE OF:
- You may lose the warranty and all the services from the car maker, because of replacing OEM parts.
- Reduced road clearance may cause inconvenience in using parking curbs and garage jack.
- FRP, ABS and PPE products are slightly weaker than OEM parts in crashes.
- The product may not match the body and OEM color perfectly.

Please purchase double sided tape, primer and caulking glue at auto accessory shop or hardware store.

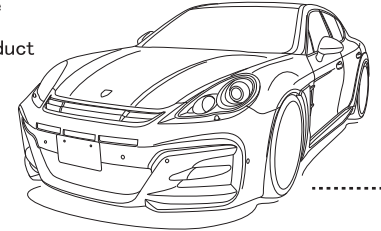
Completely degrease and paint primer on all the installation positions to enhance the viscosity of double sided tape.

Use dryer to warm double sided tape to enhance the viscosity in low temperature.
Keep the car in a dry condition more than 24 hours after gluing.
Do not wash the car during this time.

	PARTS	QUANTITIES
FENDER PANEL	FENDER PANELS	1 SET
	MESHES	1 SET



Use caulking glue to fill the gap between the product and the body.



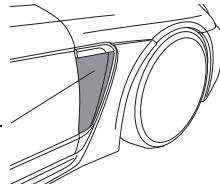
FENDER PANEL

[BEFORE PAINTING]

- 1) Temporarily install WALD Fender Panels to the body.
- ※ Adjust the details of WALD Fender Panels to fit the body by rasps or sandpapers.
- 2) Paint or put cutting sheets on OEM fenders to cover the body color.

※ ABOUT THE PAINTING (STEP 2)

Paint or put cutting sheets.

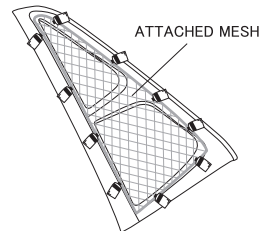


[AFTER PAINTING]

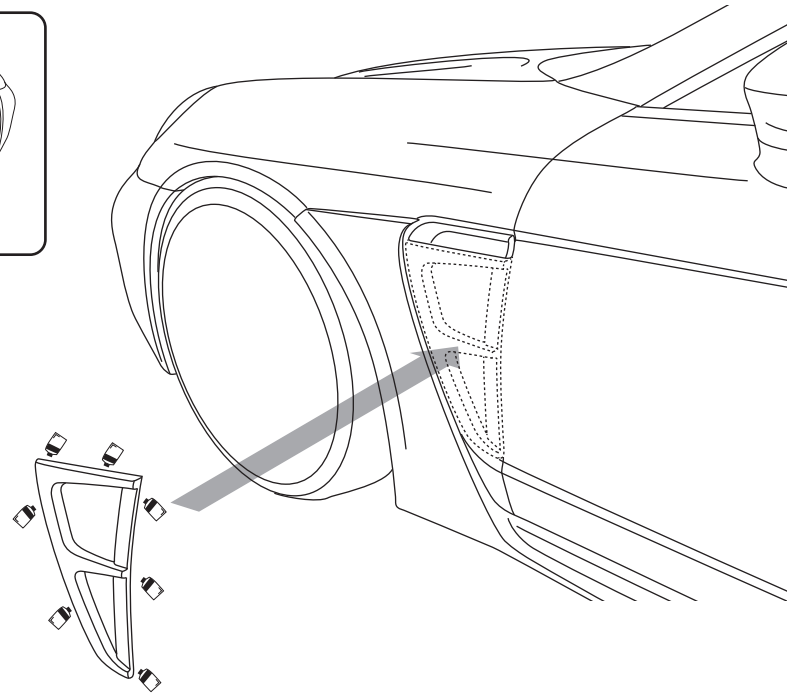
- 3) Use caulking glue to install the meshes to WALD Fender Panels from the rear.
- 4) Completely degrease the installation positions.
- 5) Check all the details of the fitment, then use caulking glue to install WALD Fender Panels to the body.
- 6) Leave them till completely fixed.

■ HOW TO INSTALL THE MESHES (STEP 3)

Use caulking glue to install the meshes to WALD Fender Panels from the rear.



(Inside of WALD Fender Panel)



After the installation, use silicon glue to cover the gap between WALD Fender Panels and the body.

ATTENTION



- ※ DURING ALL THE INSTALLATION PROCESS, PLEASE BE CAREFUL NOT TO DAMAGE THE BODY.
- ※ DEGREASE ALL THE INSTALLATION POSITIONS, AND REMOVE THE BODY PROTECTION COATING BEFORE THE INSTALLATION.
- ※ ADJUST THE DETAILS OF FITMENT IF THERE IS AN INDIVIDUAL DIFFERENCE.

WALD INTERNATIONAL

PORSCHE PANAMERA

WALD SPORTS LINE
BLACK BISON EDITION

INSTALLATION MANUAL
WALD
Sportliche Autoausrüstung WALD International

THANK YOU FOR PURCHASING. THIS IS THE INSTALLATION MANUAL OF WALD OVER FENDERS FOR PORSCHE PANAMERA.
PLEASE READ THIS MANUAL CAREFULLY BEFORE THE INSTALLATION.

ATTENTION



- ※ NO RETURNS CAN BE ACCEPTED BECAUSE OF IMPROPER INSTALLATION OR PAINTING.
- ※ CHECK THE FITMENT, AND ADJUST ALL THE DETAILS BEFORE PAINTING.
- We assume no responsibility for any damage resulting from improper installation, painting, modification and any cut wound in unsealing.
- Contact the car dealer when you have any question in removing OEM parts.
- During all the installation process, use parking brake and stop the engine completely.
- Use rasps or sandpapers to fit the products to the body if there is an individual difference.
- The product is made of FRP. Handle with care. Do not give the excessive force. Gradually fix the bolts and nuts by checking the fitment and balance of the installation.
- Check the fitment, and adjust all the details of the fitment steady and proper. Please check the fitment and all the details regularly, fix the bolts and nuts as necessary.
- The instruction of painting is just our recommendation, please paint it as you like.
- ※ PLEASE BE AWARE OF:
- You may lose the warranty and all the services from the car maker, because of replacing OEM parts.
- Reduced road clearance may cause inconvenience in using parking curbs and garage jack.
- FRP, ABS and PPE products are slightly weaker than OEM parts in crashes.
- The product may not match the body and OEM color perfectly.

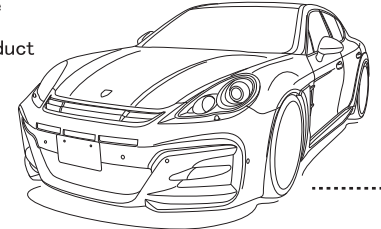
Please purchase double sided tape, primer and caulking glue at auto accessory shop or hardware store.

Completely degrease and paint primer on all the installation positions to enhance the viscosity of double sided tape.
Use dryer to warm double sided tape to enhance the viscosity in low temperature.
Keep the car in a dry condition more than 24 hours after gluing.
Do not wash the car during this time.

	PARTS	QUANTITIES
OVER FENDER	OVER FENDERS	1 SET



Use caulking glue to fill the gap between the product and the body.



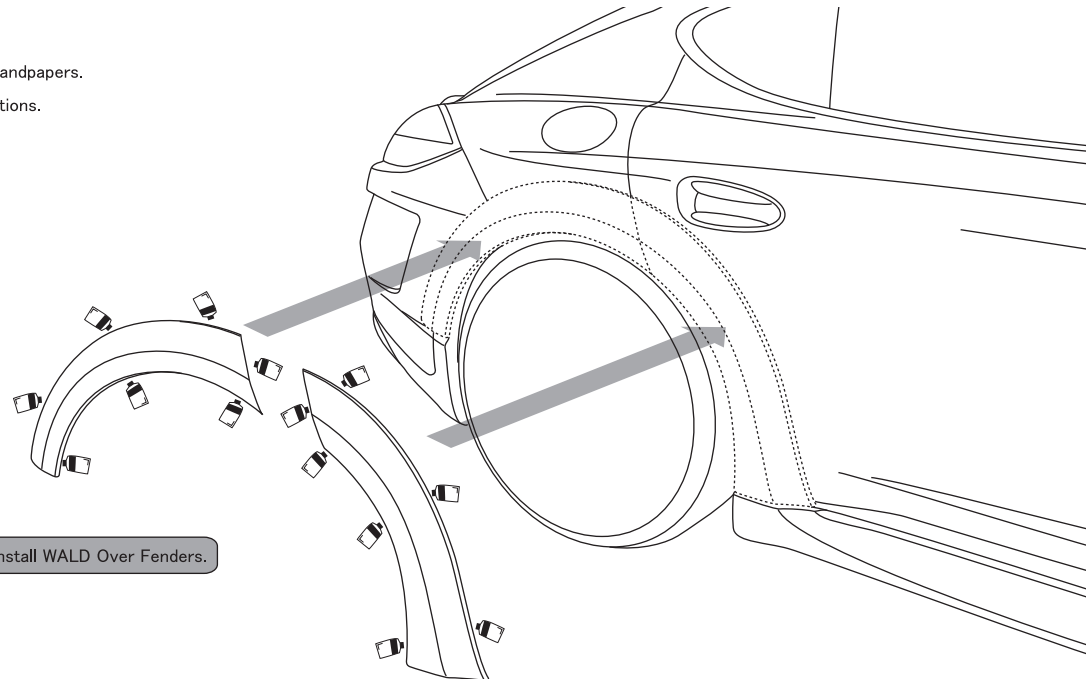
OVER FENDER

【BEFORE PAINTING】

- 1) Temporarily install WALD Over Fenders to the body.
- ※ Adjust the details of WALD Over Fenders to fit the body by rasps or sandpapers.
- 2) Check the fitment, then use masking tape to mark the installation positions.

【AFTER PAINTING】

- 3) Completely degrease the installation positions.
- 4) Check all the details of the fitment, then use caulking glue to install WALD Over Fenders to the body.
- 5) Leave them till completely fixed.



ATTENTION



- ※ DURING ALL THE INSTALLATION PROCESS, PLEASE BE CAREFUL NOT TO DAMAGE THE BODY.
- ※ DEGREASE ALL THE INSTALLATION POSITIONS, AND REMOVE THE BODY PROTECTION COATING BEFORE THE INSTALLATION.
- ※ ADJUST THE DETAILS OF FITMENT IF THERE IS AN INDIVIDUAL DIFFERENCE.

After the installation, use silicon glue to cover the gap between WALD Over Fenders and the body.

WALD INTERNATIONAL

PORSCHE PANAMERA

WALD SPORTS LINE
BLACK BISON EDITION

INSTALLATION MANUAL
WALD
Sportliche Autoausrüstung WALD International

THANK YOU FOR PURCHASING. THIS IS THE INSTALLATION MANUAL OF WALD REAR SPOILER FOR PORSCHE PANAMERA.
PLEASE READ THIS MANUAL CAREFULLY BEFORE THE INSTALLATION.

ATTENTION



- ※ NO RETURNS CAN BE ACCEPTED BECAUSE OF IMPROPER INSTALLATION OR PAINTING.
- ※ CHECK THE FITMENT, AND ADJUST ALL THE DETAILS BEFORE PAINTING.
- We assume no responsibility for any damage resulting from improper installation, painting, modification and any cut wound in unsealing.
- Contact the car dealer when you have any question in removing OEM parts.
- During all the installation process, use parking brake and stop the engine completely.
- Use rasps or sandpapers to fit the products to the body if there is an individual difference.
- The product is made of FRP. Handle with care. Do not give the excessive force.
- Gradually fix the bolts and nuts by checking the fitment and balance of the installation.
- Check the fitment, and adjust all the details of the fitment steady and proper.
- Please check the fitment and all the details regularly, fix the bolts and nuts as necessary.
- The instruction of painting is just our recommendation, please paint it as you like.
- ※ PLEASE BE AWARE OF:
- You may lose the warranty and all the services from the car maker, because of replacing OEM parts.
- Reduced road clearance may cause inconvenience in using parking curbs and garage jack.
- FRP, ABS and PPE products are slightly weaker than OEM parts in crashes.
- The product may not match the body and OEM color perfectly.

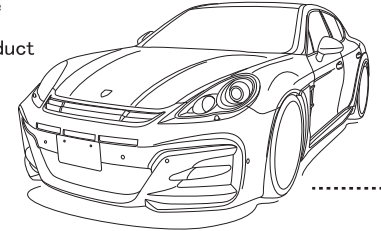
Please purchase double sided tape, primer and caulking glue at auto accessory shop or hardware store.

Completely degrease and paint primer on all the installation positions to enhance the viscosity of double sided tape.
Use dryer to warm double sided tape to enhance the viscosity in low temperature.
Keep the car in a dry condition more than 24 hours after gluing.
Do not wash the car during this time.

	PARTS	QUANTITIES
REAR SPOILER	REAR SPOILER	1



Use caulking glue to fill the gap between the product and the body.



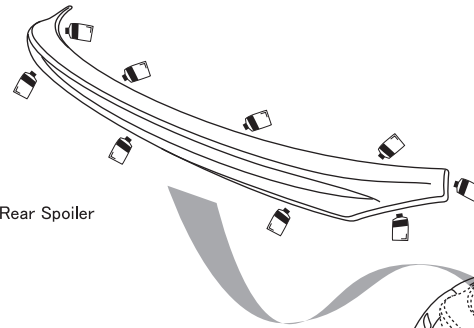
REAR SPOILER

[BEFORE PAINTING]

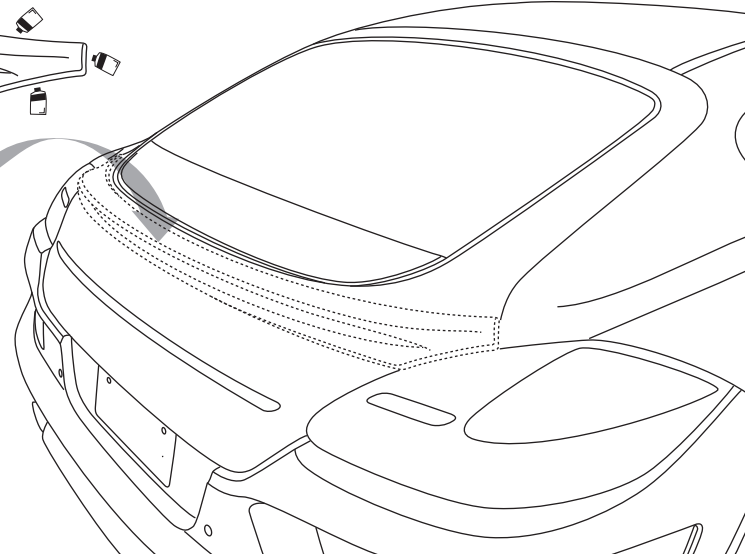
- 1) Temporarily install WALD Rear Spoiler to the body.
- ※ Adjust the details of WALD Rear Spoiler to fit the body by rasps or sandpapers.
- 2) Check the fitment, then use masking tape to mark the installation position.

[AFTER PAINTING]

- 3) Completely degrease the installation position.
- 4) Check all the details of the fitment, then use caulking glue to install WALD Rear Spoiler to the body.
- 5) Leave it till completely fixed.



After the installation, use silicon glue to cover the gap between WALD Rear Spoiler and the body.



ATTENTION



- ※ DURING ALL THE INSTALLATION PROCESS, PLEASE BE CAREFUL NOT TO DAMAGE THE BODY.
- ※ DEGREASE THE INSTALLATION POSITION, AND REMOVE THE BODY PROTECTION COATING BEFORE THE INSTALLATION.
- ※ ADJUST THE DETAILS OF FITMENT IF THERE IS AN INDIVIDUAL DIFFERENCE.

WALD INTERNATIONAL

PORSCHE PANAMERA

WALD SPORTS LINE
BLACK BISON EDITION

INSTALLATION MANUAL
WALD
Sportliche Autoausrüstung WALD International

THANK YOU FOR PURCHASING. THIS IS THE INSTALLATION MANUAL OF LED LAMPS OF WALD FRONT BUMPER FOR PORSCHE PANAMERA.
PLEASE READ THIS MANUAL CAREFULLY BEFORE THE INSTALLATION.

ATTENTION



- ※ NO RETURNS CAN BE ACCEPTED BECAUSE OF IMPROPER INSTALLATION OR PAINTING.
- ※ CHECK THE FITMENT, AND ADJUST ALL THE DETAILS BEFORE PAINTING.
- We assume no responsibility for any damage resulting from improper installation, painting, modification and any cut wound in unsealing.
- Contact the car dealer when you have any question in removing OEM parts.
- During all the installation process, use parking brake and stop the engine completely.
- Use rasps or sandpapers to fit the products to the body if there is an individual difference.
- The product is made of FRP. Handle with care. Do not give the excessive force. Gradually fix the bolts and nuts by checking the fitment and balance of the installation.
- Check the fitment, and adjust all the details of the fitment steady and proper. Please check the fitment and all the details regularly, fix the bolts and nuts as necessary.
- The instruction of painting is just our recommendation, please paint it as you like.
- ※ PLEASE BE AWARE OF:
- You may lose the warranty and all the services from the car maker, because of replacing OEM parts.
- Reduced road clearance may cause inconvenience in using parking curbs and garage jack.
- FRP, ABS and PPE products are slightly weaker than OEM parts in crashes.
- The product may not match the body and OEM color perfectly.

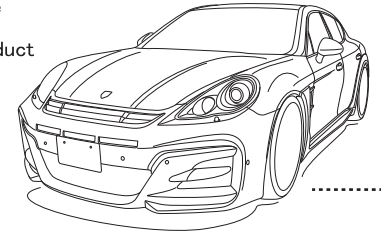
Please purchase double sided tape, primer and caulking glue at auto accessory shop or hardware store.

Completely degrease and paint primer on all the installation positions to enhance the viscosity of double sided tape.
Use dryer to warm double sided tape to enhance the viscosity in low temperature.
Keep the car in a dry condition more than 24 hours after gluing.
Do not wash the car during this time.

LED LAMP	PARTS		QUANTITIES
	LED LAMPS	RESISTORS (50W, 5Ω)	1 SET



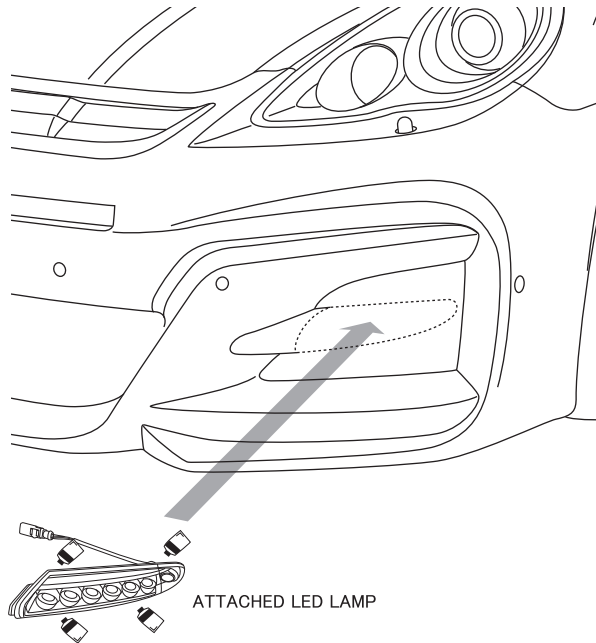
Use caulking glue to fill the gap between the product and the body.



LED LAMP

[BEFORE PAINTING]

- 1) Temporarily install the LED lamps to WALD Front Bumper.
- ※ Adjust the details of WALD Front Bumper and the LED lamps to fit by rasps or sandpapers.
- 2) Check the fitment, then remove the LED lamps to prepare for connecting.
- ※ Mark the coupler's number first to prevent any confusion.
- 3) Insulate any spare harness.
- 4) Install the resistors away from the harness to prevent the heat of them.



[AFTER PAINTING]

- 5) Install the LED lamps to WALD Front Bumper.

ATTENTION ※ DEGREASE ALL THE INSTALLATION POSITIONS, AND REMOVE THE BODY PROTECTION COATING BEFORE THE INSTALLATION.



- ※ REMOVE THE BATTERY BEFORE ALL THE WIRING WORKS.
- ※ MAKE SURE THE LED LAMPS ARE FINE TO WORK BEFORE THE INSTALLATION.

= WIRING DIAGRAM =

