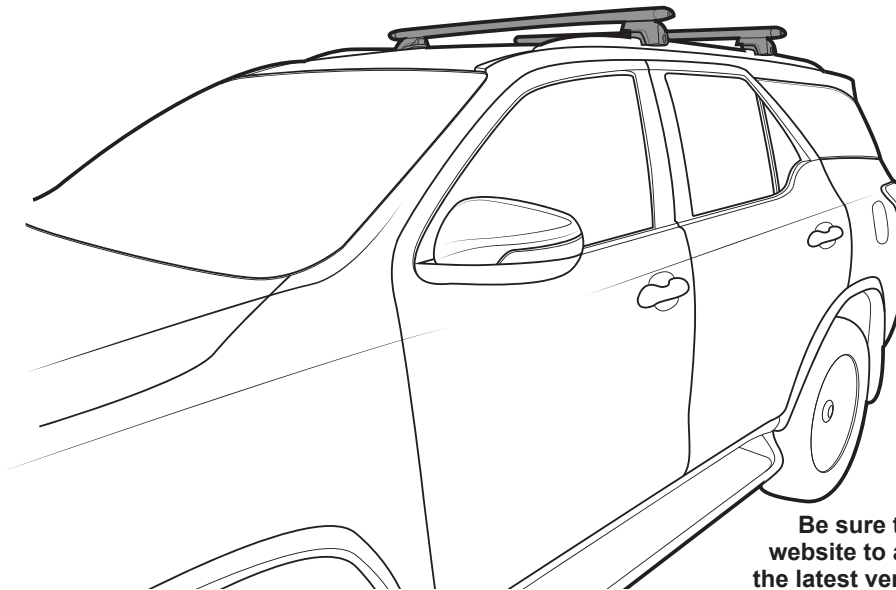




# RHINO-RACK

## SX046

Fit Time: 45min



Be sure to check Rhino-Rack website to ascertain if you have the latest version of instructions.

### IMPORTANT INFORMATION

**Maximum carrying capacity:**

| On Road Cargo Allowance | Off Road Cargo Allowance | Static Allowance | Roof Allowance | Rack Weight |
|-------------------------|--------------------------|------------------|----------------|-------------|
| 75kg / 165lb            | 50kg / 110lb             | 334.5kg / 737lb  | 80kg / 176lb   | 5kg / 11lb  |

**Roof Allowance:** Total permissible weight attached to the roof of the car. This is inclusive of the weight of the roof rack system

**Cargo Allowance:** Total permissible weight allowed on top, and attached to roof racks whilst the vehicle is in motion

**Static Allowance:** Total permissible weight allowed on top, and attached to roof racks whilst the vehicle is stationary

Please refer to your vehicle manufacturers handbook for maximum carrying capacity. Always use the lower of the two figures. Load must be evenly distributed over the entire Pioneer. Weight of roof rack accessories is to be included in cargo allowance.

**Torque settings**

Unless stated otherwise in these instructions, all fasteners should be set to the following torque settings - M6: 4-5Nm (3-4lbs/ft), M8: 8-10Nm (6-7.5lbs/ft) and M10: 16-18Nm (12-13lbs/ft).

**Warning:**

- Check Part No. and/ or Kit is correct for use with your vehicle
- Do not attempt to fit the rack system to your vehicle unless you fully understand these fitting instructions. Please direct any questions regarding fitting to the dealer from where the roof racks were purchased.
- **Use only non-stretch fastening ropes or straps.**
- The handling characteristics of the vehicle changes when you transport a load on the roof. For safety reasons we recommend you exercise extreme care when transporting wind-resistant loads. Special consideration must be taken into account when cornering and braking.
- Although the system is tested and approved to AS1235-2000 / ISO 11154, off-road conditions can be much more rigorous. Extreme care must be taken in off road conditions
- Vehicles have a hardened steel roof. Drilling will require additional time to stop drill bit overheating and becoming damaged. **Be sure to allow the drill bit to cool down between holes drilled.**

**Recommendations:**

It is essential that all bolt connections be checked after driving a short distance when you first install your roof racks. Bolt connections should be checked again at regular intervals (once a week is enough, depending on road conditions, usage, loads and distances travelled). You should also check the roof racks each time they are re-fitted. Always make sure to fasten your load securely. Please also ensure that all loads are evenly distributed and that the centre of gravity is kept as low as possible and must be entirely contained within the extents of the roof racks.

**Note for Dealers and Fitters:**

It is your responsibility to ensure these fitting instructions are given to the end user or client

Rhino-Rack, 22 Hanson St, Eastern Creek

NSW 2766, Australia

(02) 8846 1900

rhinorack.com.au

Document No: R881

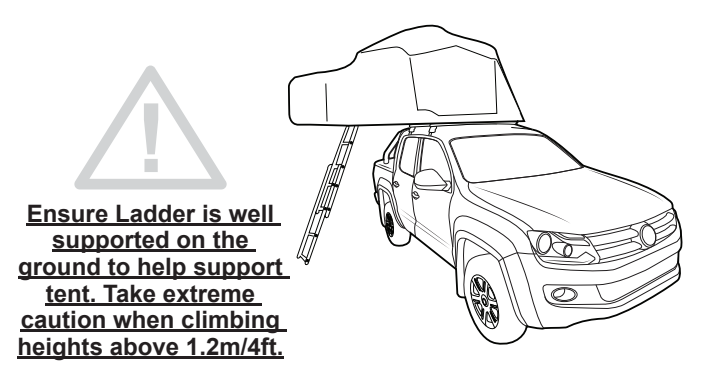
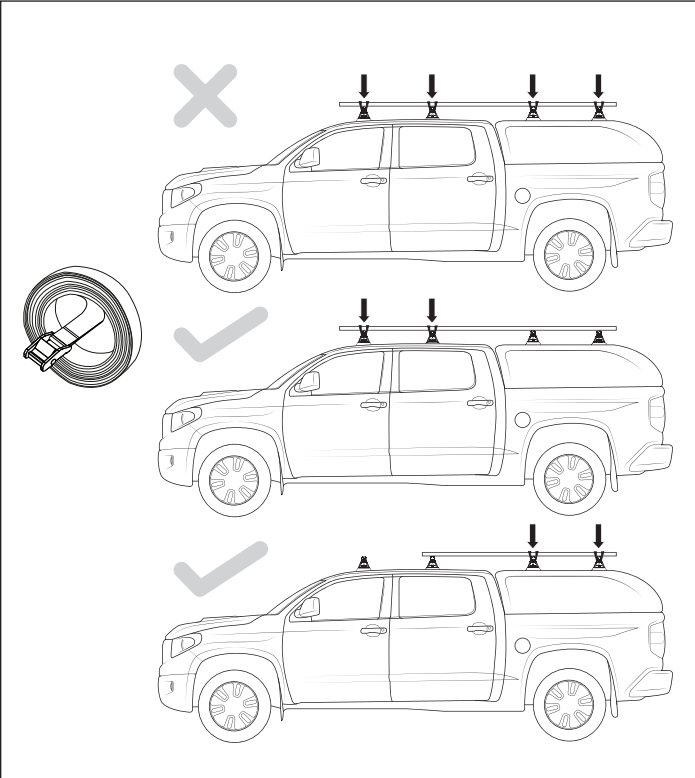
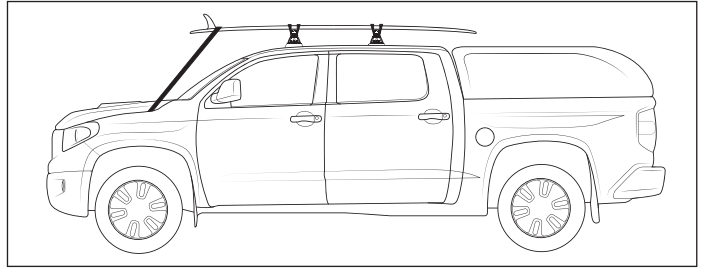
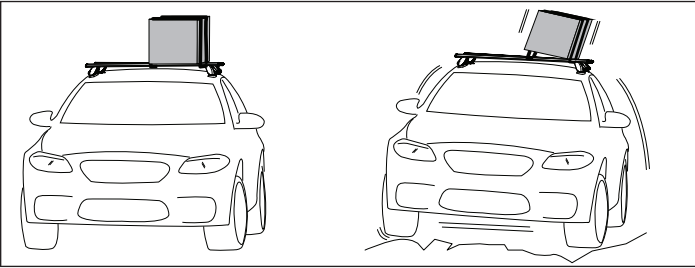
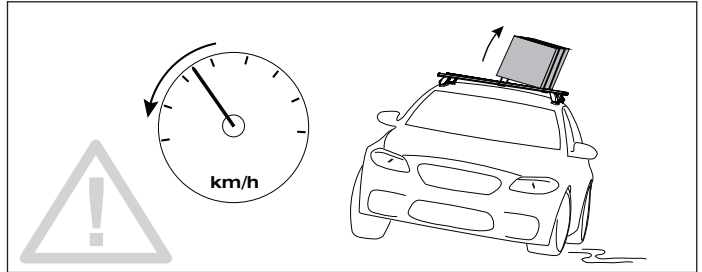
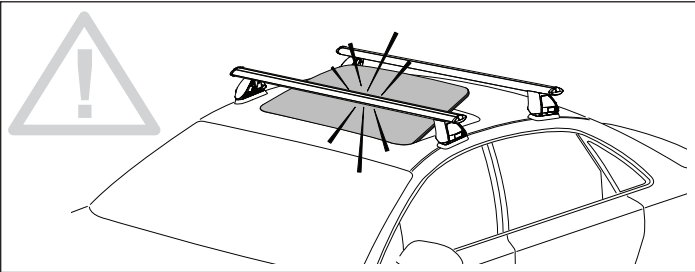
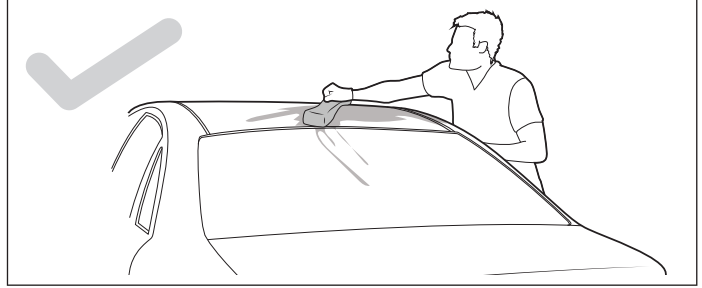
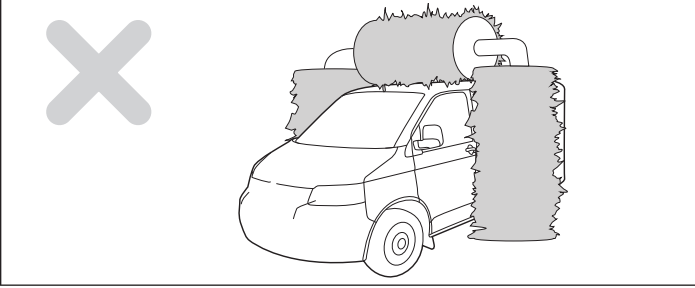
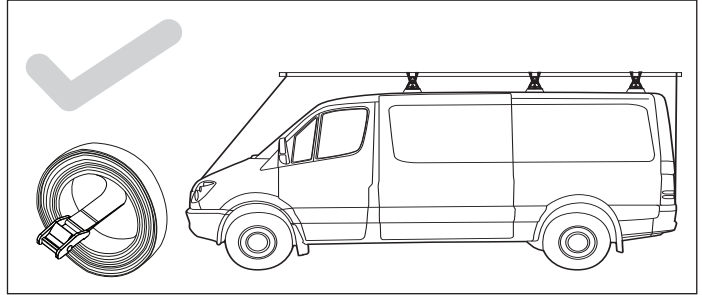
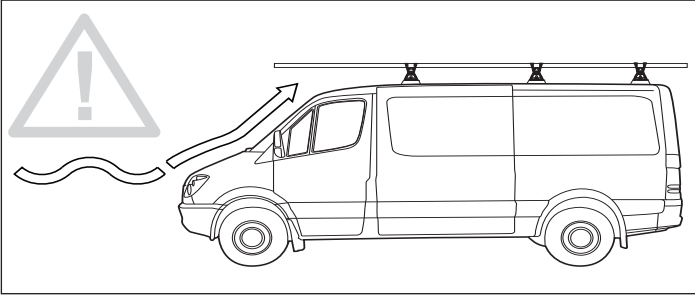
Issue No: 04

Issue Date: 22/07/2019

These instructions remain the property of Rhino-Rack Australia Pty. Ltd. and may not be used or changed for any other purpose than intended.



# SX046



**Ensure Ladder is well supported on the ground to help support tent. Take extreme caution when climbing heights above 1.2m/4ft.**

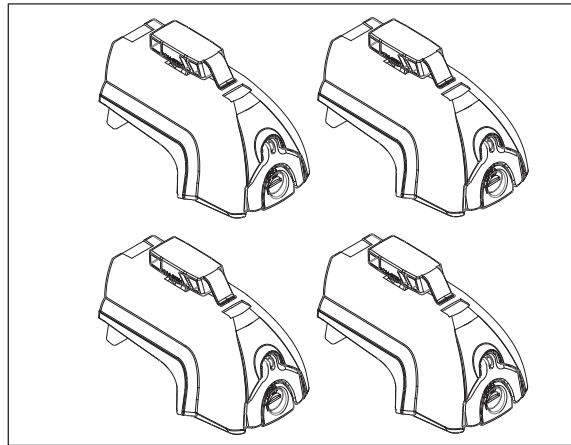


# SX046

## Parts Required



Crossbars  
(VA126S, VA126B Sold as separate)



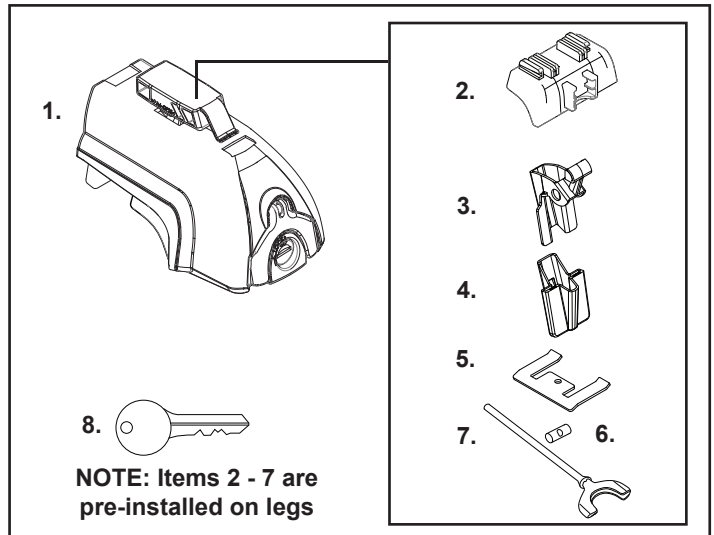
Leg Kit

## Parts List

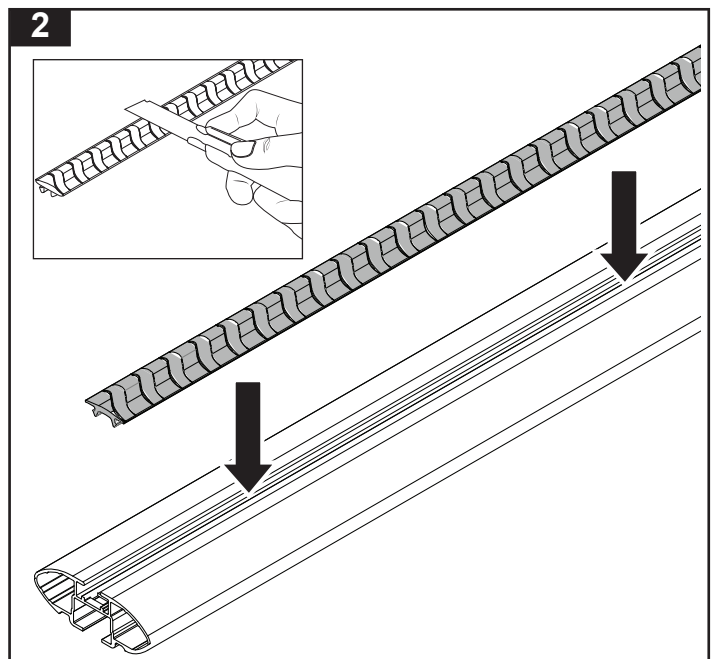
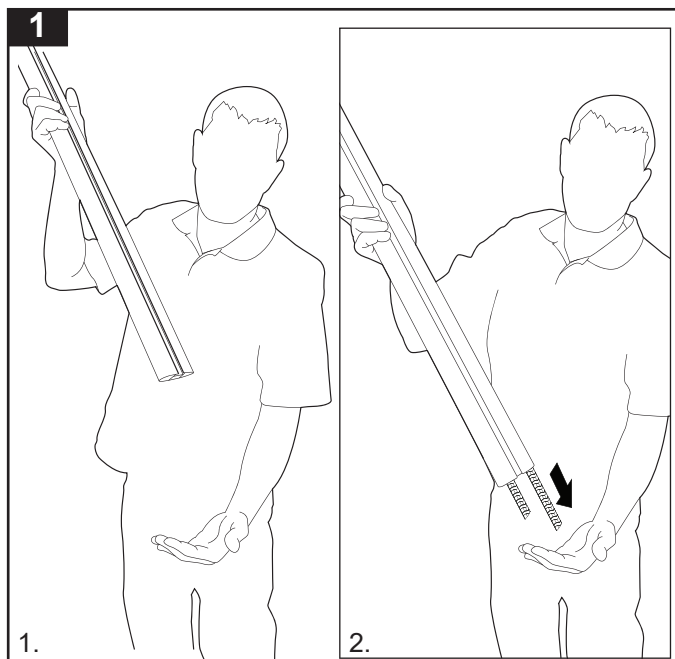
| Item | Component Name | Qty | Part No. |
|------|----------------|-----|----------|
| 1    | Leg Unit       | 4   | CA1600   |
| 2    | Rubber Insert  | 4   | M822     |
| 3    | Clamp Assembly | 4   | CA1566   |
| 4    | Rubber Boot    | 4   | M715     |
| 5    | Outer Clamp    | 4   | CA1507   |
| 6    | Dowel Nut      | 4   | N071     |
| 7    | Adjustment Rod | 4   | SP222    |
| 8    | Metal Key      | 2   | CA1339   |
| 9    | Instructions   | 1   | R747     |

### Tools Required:

Tape measure.  
Scissors. Knife.



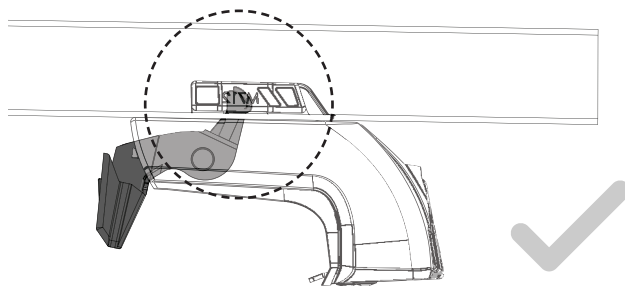
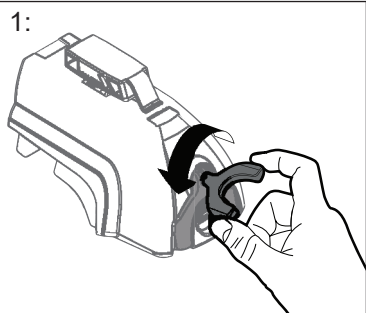
## Instructions



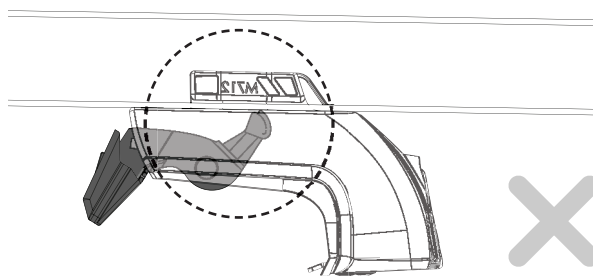
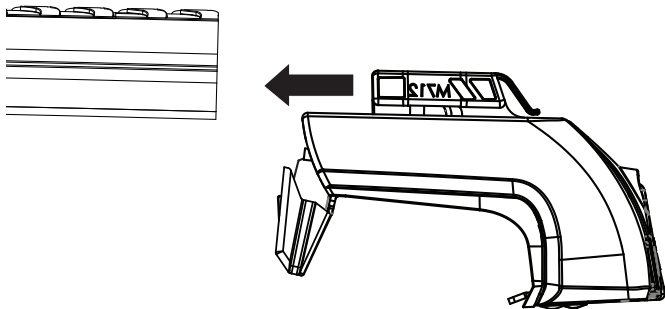


# SX046

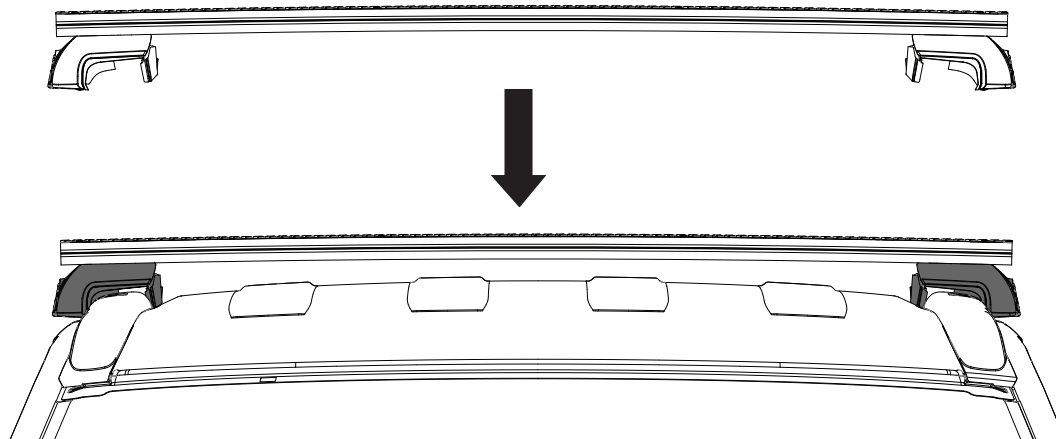
3



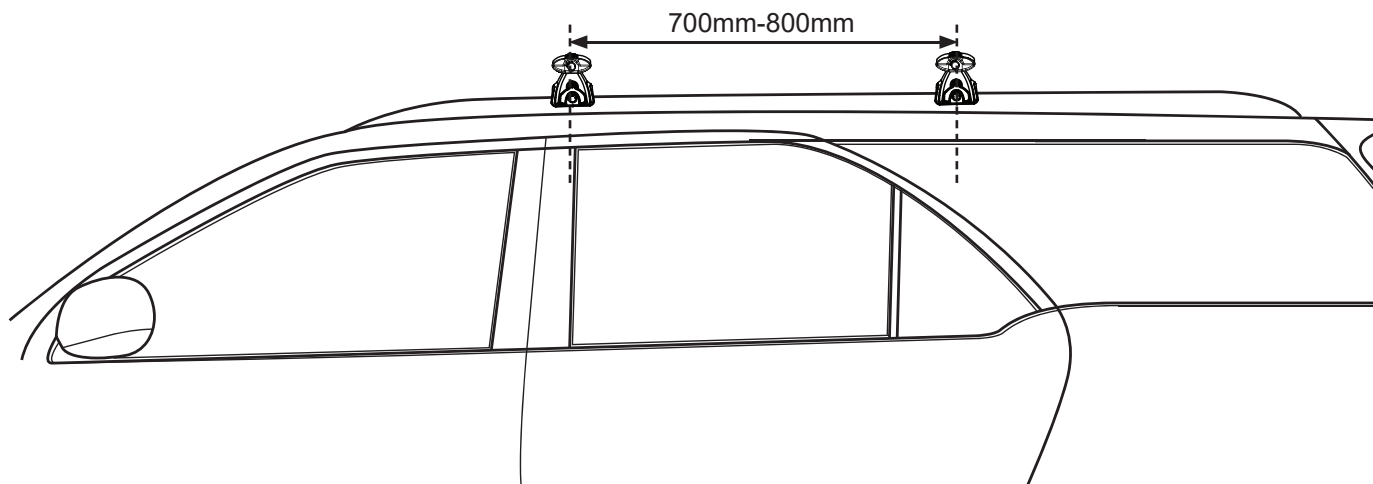
2:



4a



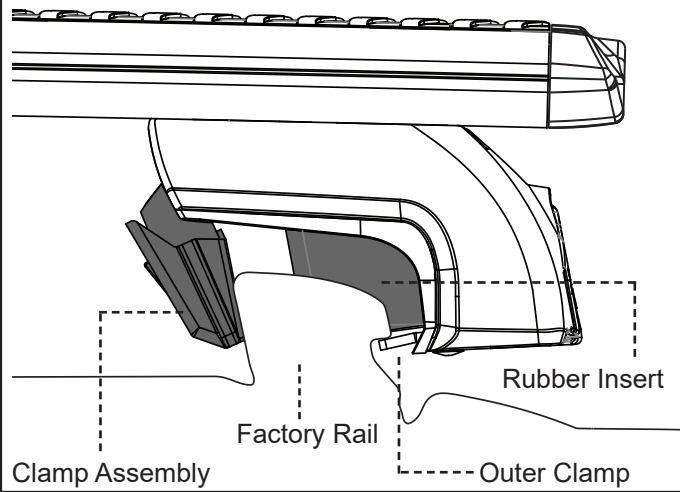
4b



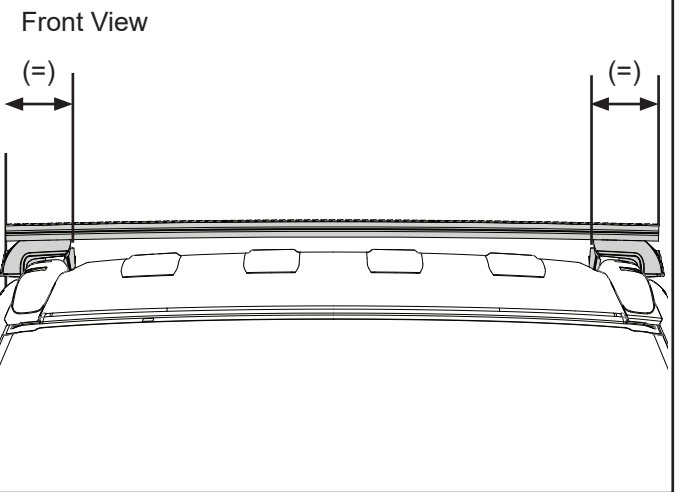


# SX046

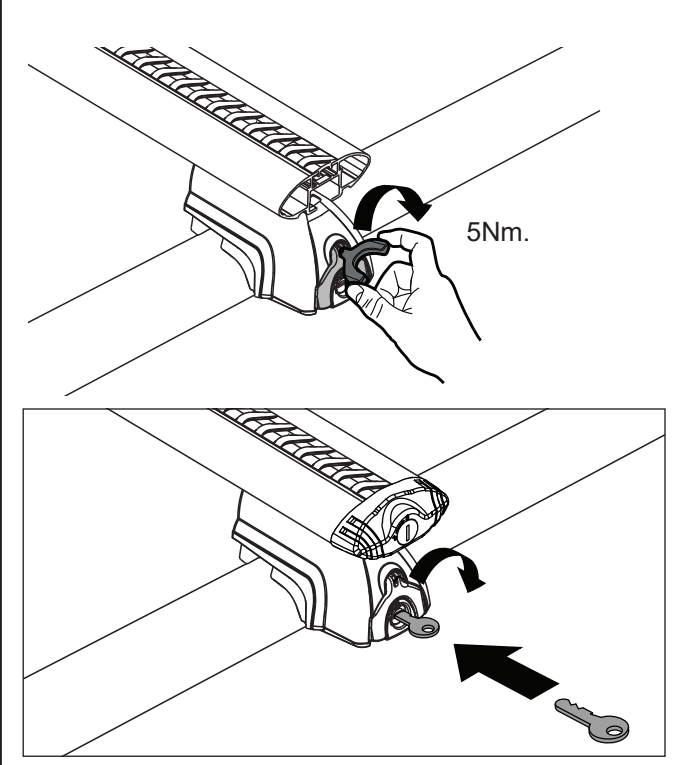
4c



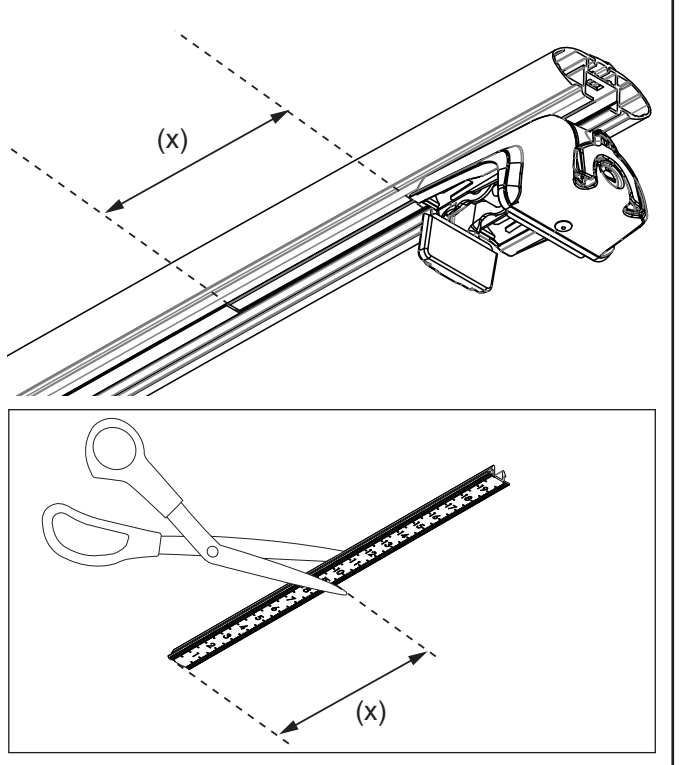
5



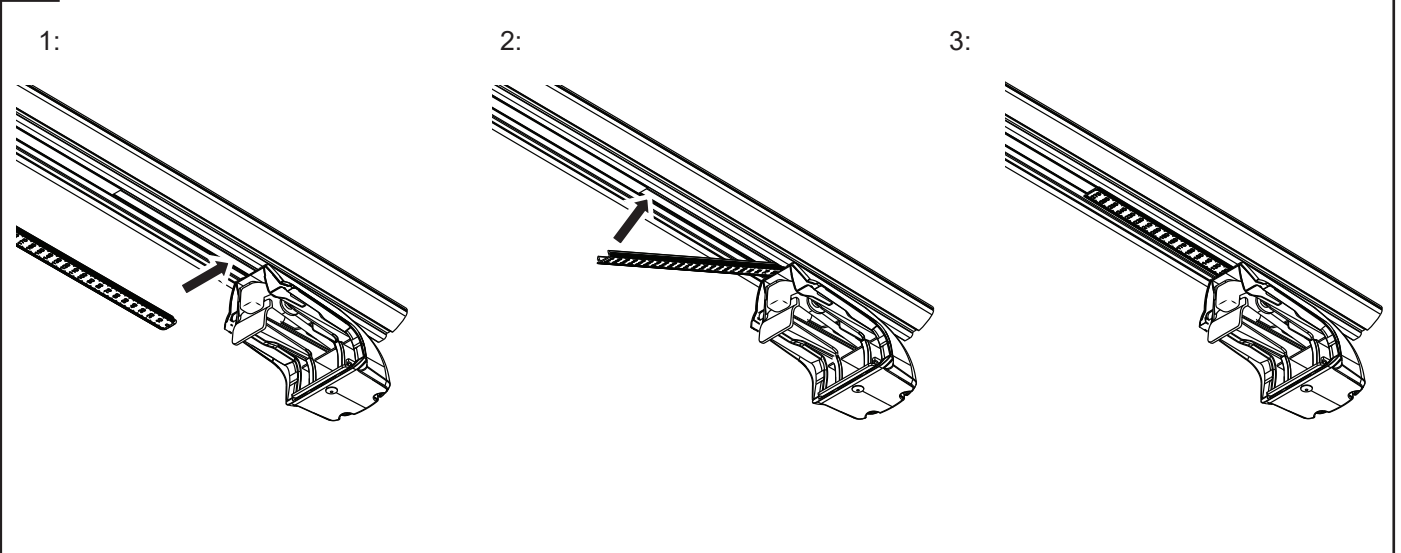
6



7



8





# SX046

