



CONTROLLED

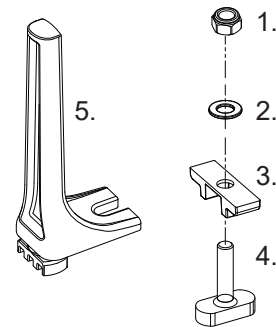
RHINO-RACK

Sports Ladder Peg - S602

Important: Please read these instructions carefully prior to installation. Please refer to your fitting instruction to ensure that the Roof Rack System is installed in the correct location. Check the contents of kit before commencing fitment and report any discrepancies. Place these instructions in the vehicle's glove box after installation is complete. Always be sure to check Rhino-Rack website to ascertain if you have the latest instructions before installing.

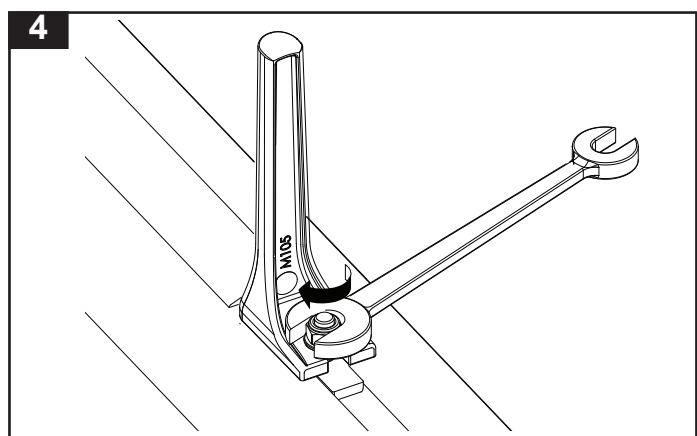
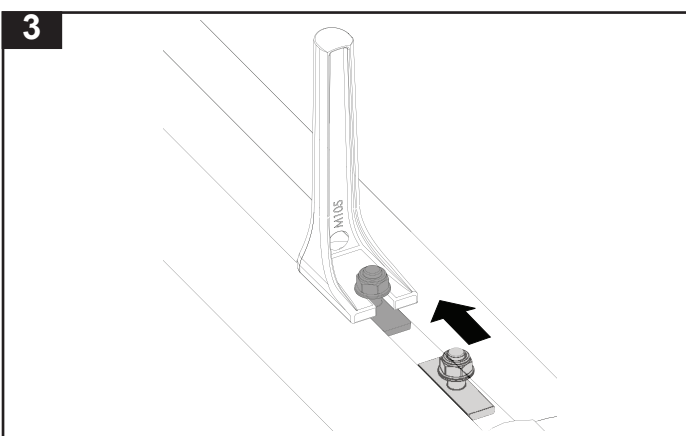
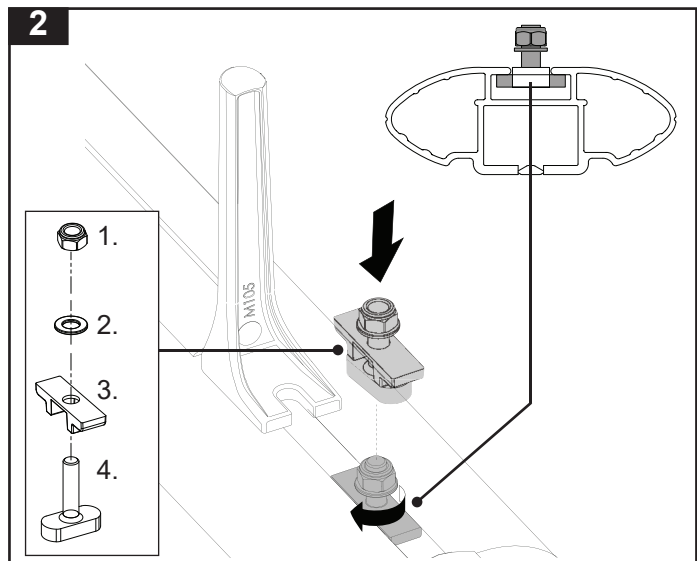
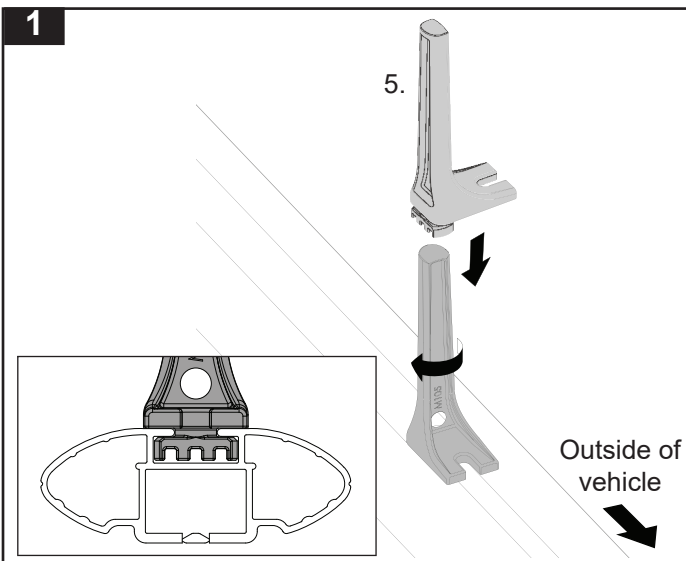
Parts List

Item	Component Name	Qty	Part No.
1	M6 Nyloc Nut	2	N013
2	M6 Flat Washer	2	W031
3	Locking Insert	2	M086
4	M6 T-Bolt	2	B089
5	Sports Ladder Peg	2	M105
6	Instructions	1	RS28



Tools required: 10mm spanner

Instructions



Note for Dealers and Fitters:

It is your responsibility to ensure these fitting instructions are given to the end user or client.

Rhino-Rack, 22 Hanson Pl, Eastern Creek
NSW 2766, Australia
(02) 8846 1900
rhinorack.com.au

Document No: RS28
Issue No: 03
Issue Date: 10/04/2019

These instructions remain the property of Rhino-Rack Australia Pty. Ltd. and may not be used or changed for any other purpose than intended.