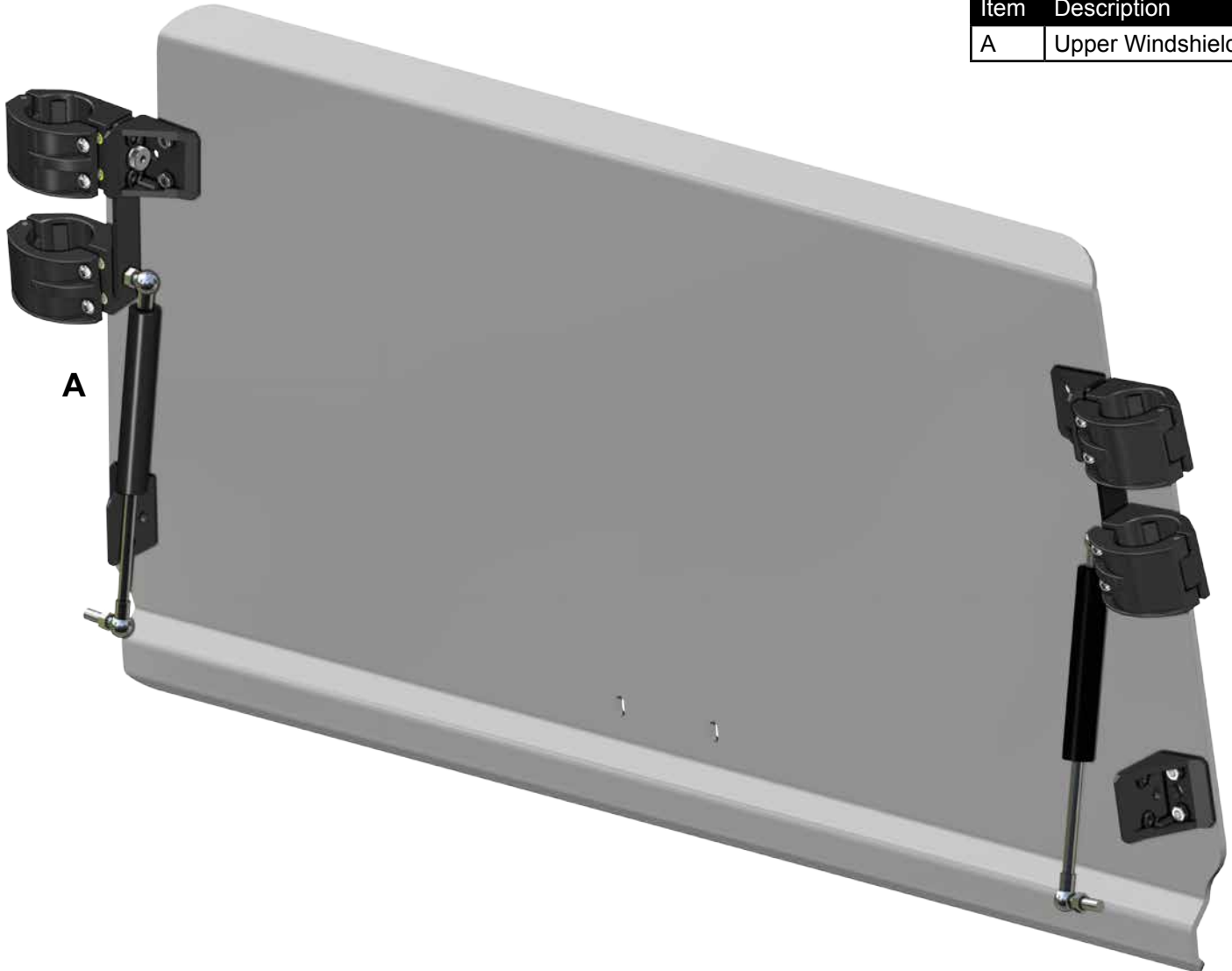


Item	Description
A	Upper Windshield



*(kit contents continue on following page)*

**Read instructions and view illustrations before beginning.**

**Need help with your installation?**



sales@superatv.com



www.superatv.com



1-812-574-7777



8:00am - 9:00pm EST M-Th  
 8:00am - 7:00pm EST Friday  
 9:00am - 2:00pm EST Saturday

*Thank You  
 For Choosing*



**Liability Statement**

SuperATV's<sup>®</sup> products are designed to best fit user's ATV/UTV under stock conditions. Adding, modifying, or fabricating any factory or aftermarket parts will void any warranty provided by SuperATV<sup>®</sup> and is not recommended. SuperATV's<sup>®</sup> products could interfere with other aftermarket accessories. If user has aftermarket products on machine, contact SuperATV<sup>®</sup> to verify that they will work together.

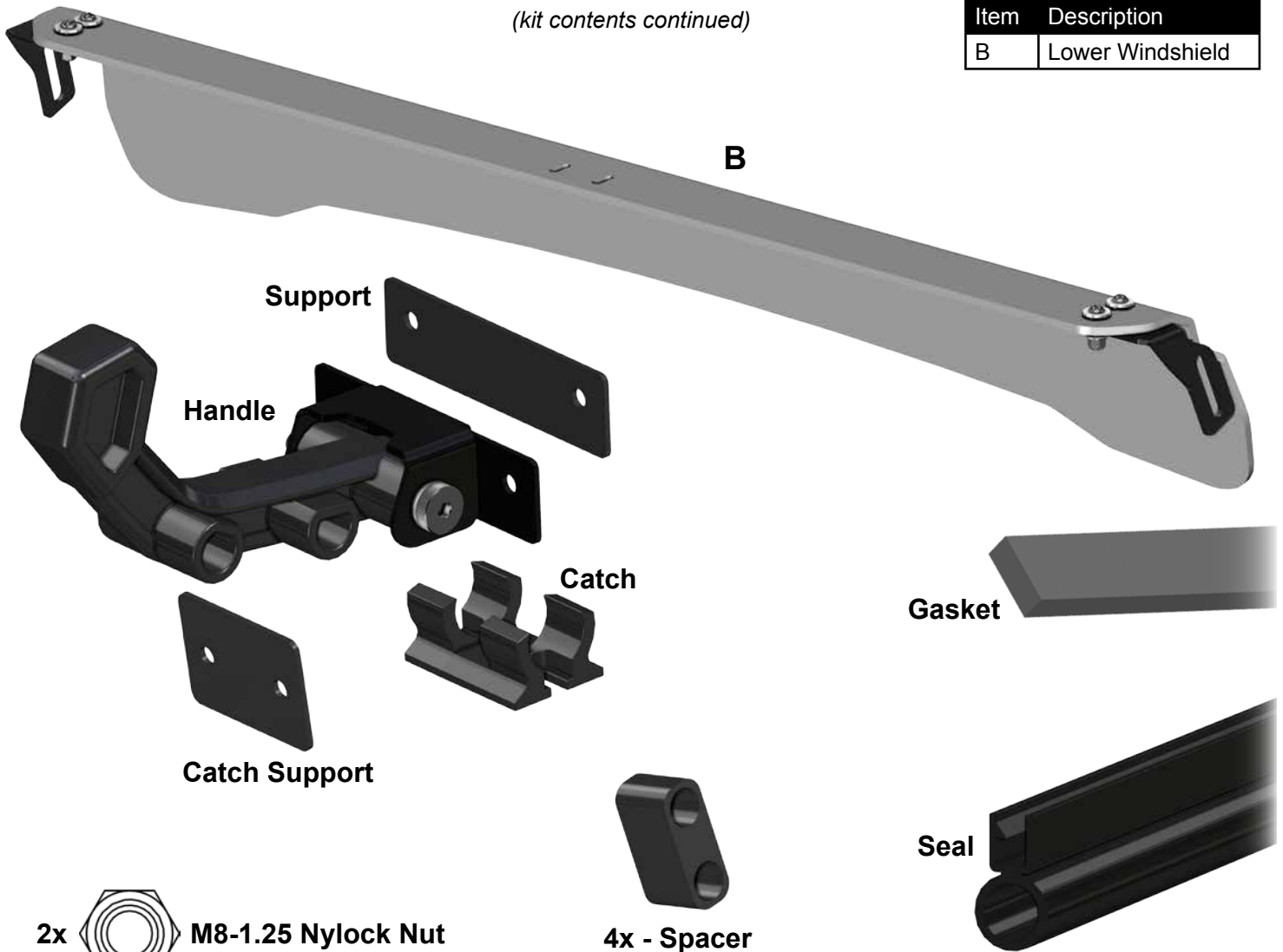
Although SuperATV<sup>®</sup> has thousands of satisfied customers, user should be aware that installing lift kits, long travel, or suspension kits, tires, etc. will change the ride of machine and may increase maintenance and part wear. Operating any off-road machine while, or after, consuming alcohol and/or drugs increases risk of bodily harm or death. No warranty or representation is made as to this product's ability to protect user from severe injury or death. SuperATV<sup>®</sup> urges operators and occupants to wear a helmet and appropriate riding gear at all times.


By purchasing and installing SuperATV<sup>®</sup> products, user agrees that should damages occur, SuperATV<sup>®</sup> will not be held responsible for loss of time, use, labor fees, replacement parts, or freight charges. SuperATV<sup>®</sup>, nor any 3rd party, will not be held responsible for any direct, indirect, incidental, special, or consequential damages that result from any product purchased from SuperATV<sup>®</sup>. The total liability of seller to user for all damages, losses, and causes of action, if any, shall not exceed the total purchase price paid for the product that gave rise to the claim.

SuperATV<sup>®</sup> will warranty only parts provided by SuperATV<sup>®</sup>. Any damage or problems with OEM housings, bearings, seals, or other manufacturers' products will not be covered by SuperATV<sup>®</sup>. SuperATV<sup>®</sup> parts and products are not warranted if item was not installed properly, misused, or modified.


(kit contents continued)


Item	Description
B	Lower Windshield



2x  M8-1.25 Nylock Nut

4x - Spacer

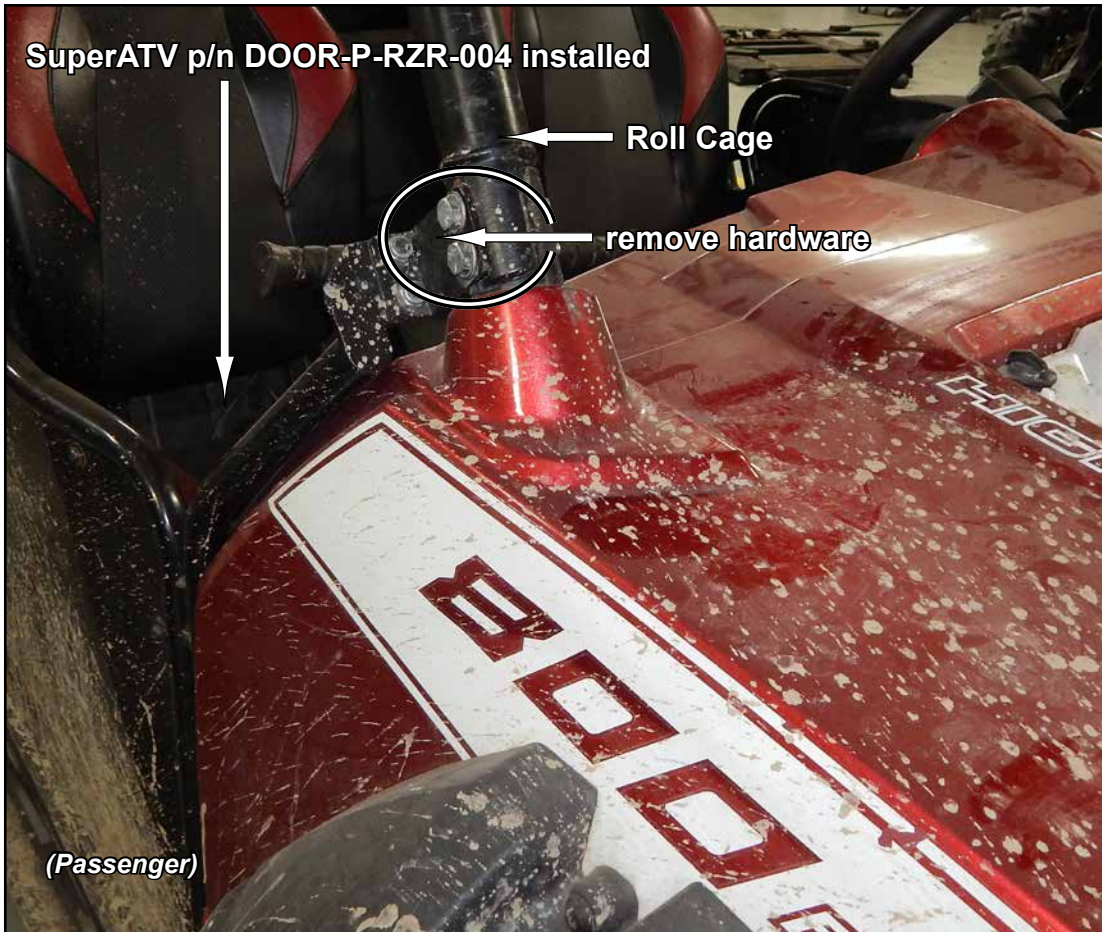
4x  M10-1.50 x 70mm Lg. HHCS

4x  M10-1.50 Nylock Nut

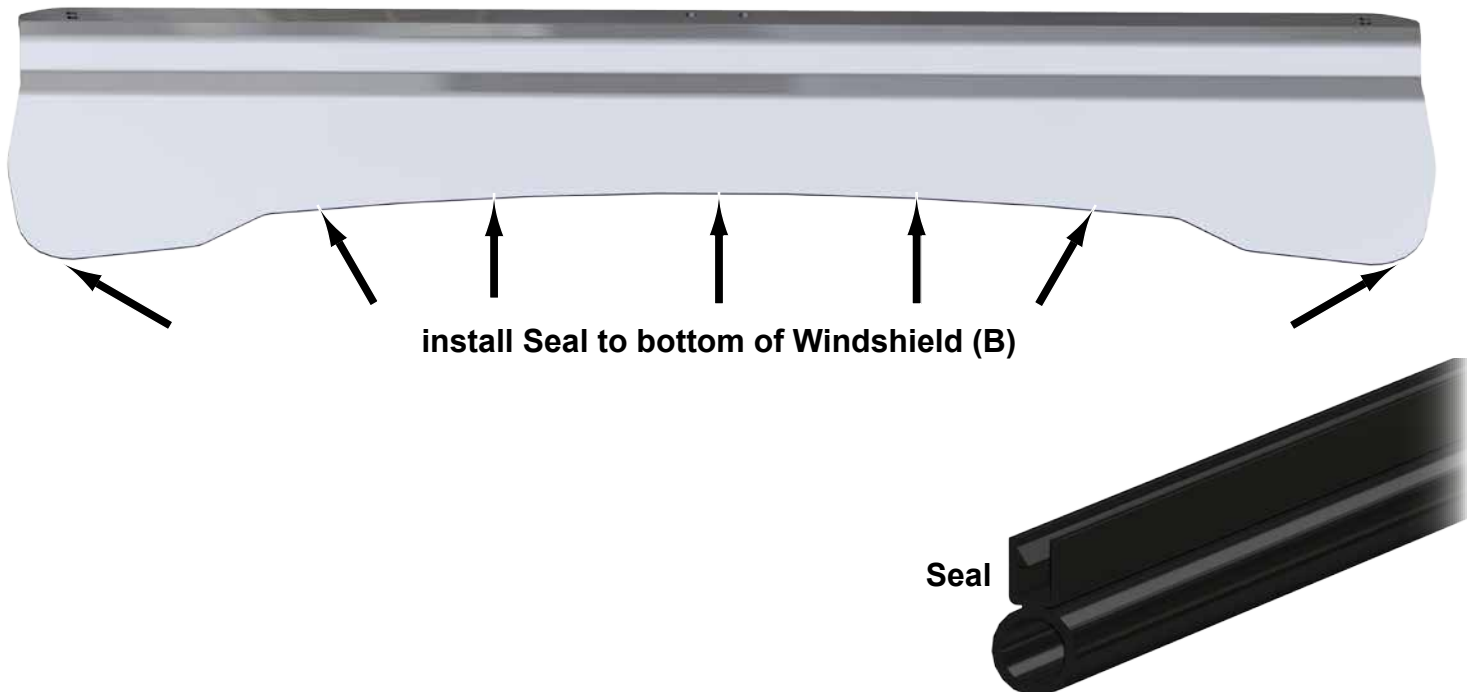


**Windshield Cleaning:**

- Do not use window cleaning fluids (Windex, 409, etc) or any solvents (gasoline, denatured alcohol, acetone, etc).
  - Never use abrasive cleaners, abrasive pads, or gritty cloths.
  - Never use razor blades, scrapers, squeegees, brushes, etc.
1. Thoroughly rinse Windshield to float off dirt and mud.
  2. Using a soft cloth, or microfiber cloth, clean Windshield with warm water and a gentle detergent. Baby shampoo or hand washing soap are recommended.
  3. To prevent water spots, use a chamois to blot Windshield dry.

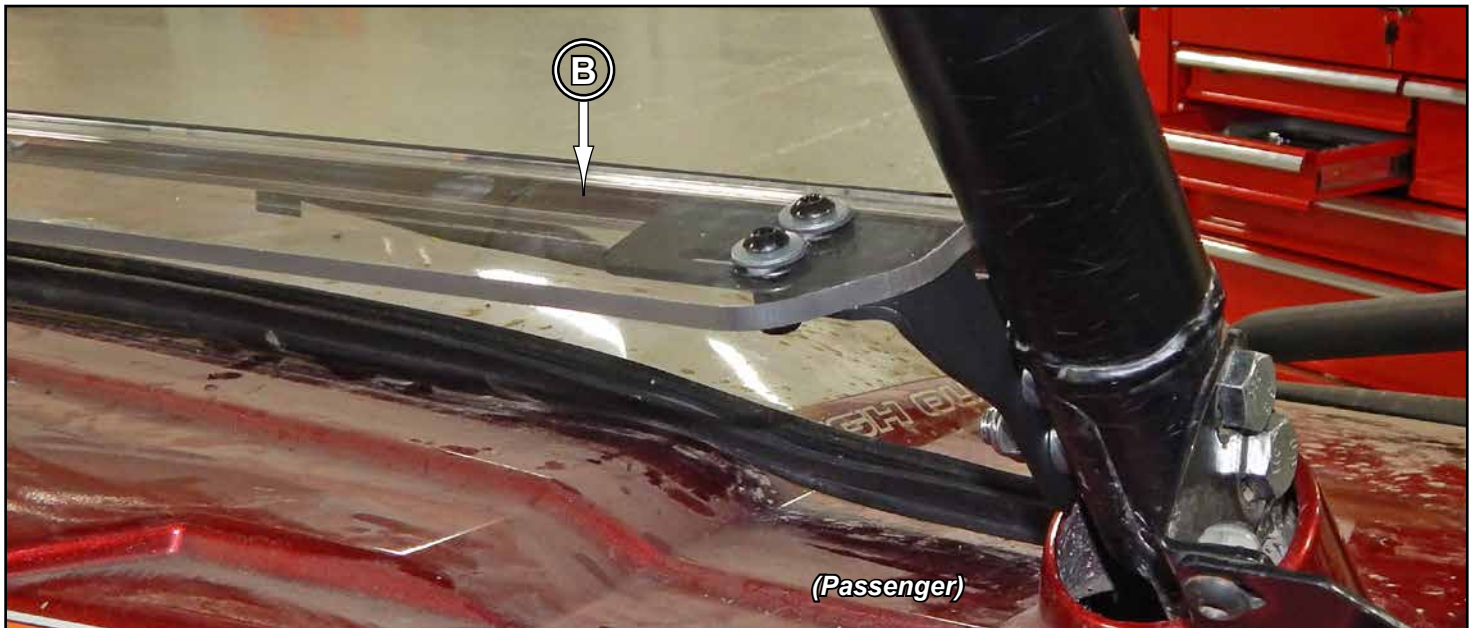
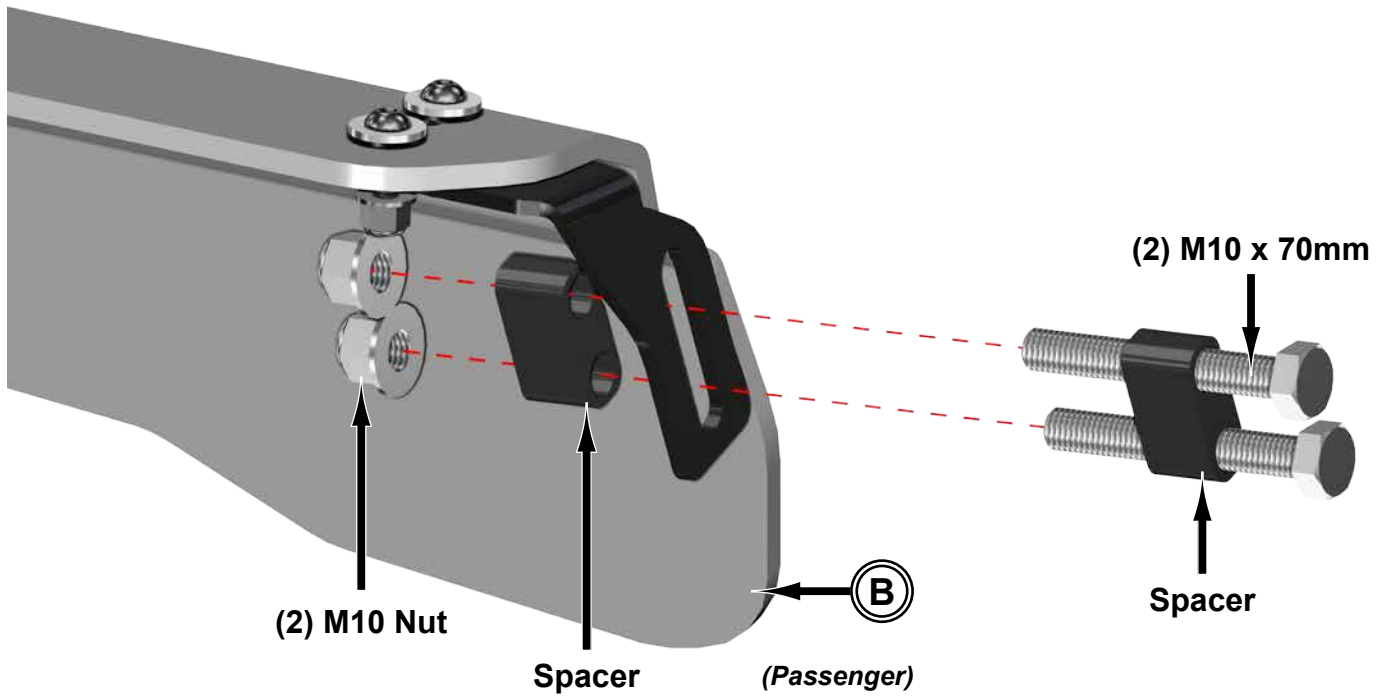


**Cut and install Hood Seal to bottom of windshield as shown**  
*To ease installation, soak Seal in hot water before cutting or installing to increase flexibility.*



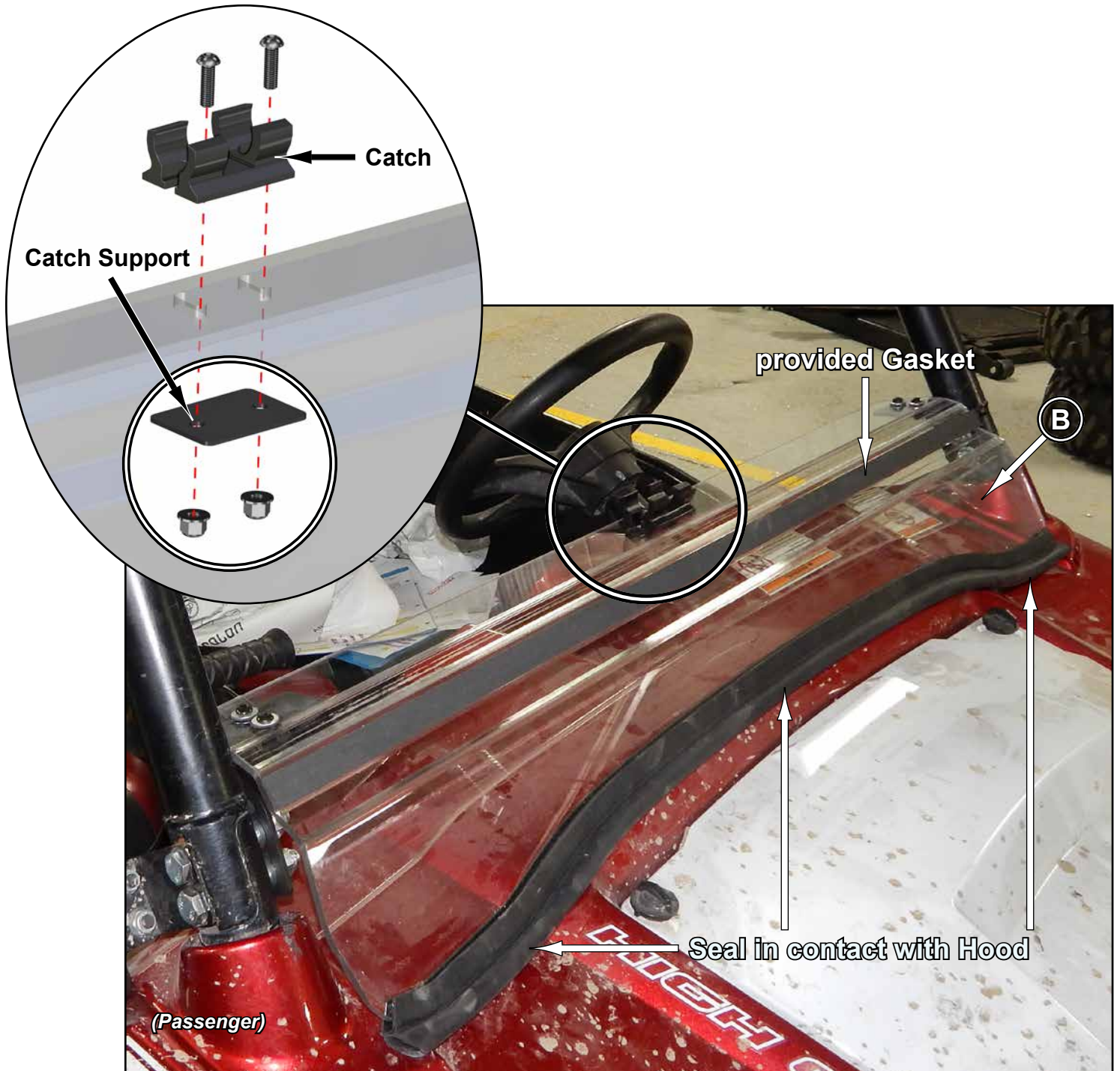
## Lower Windshield (B) installation:

- Secure Lower Windshield assembly Cage with hardware shown.



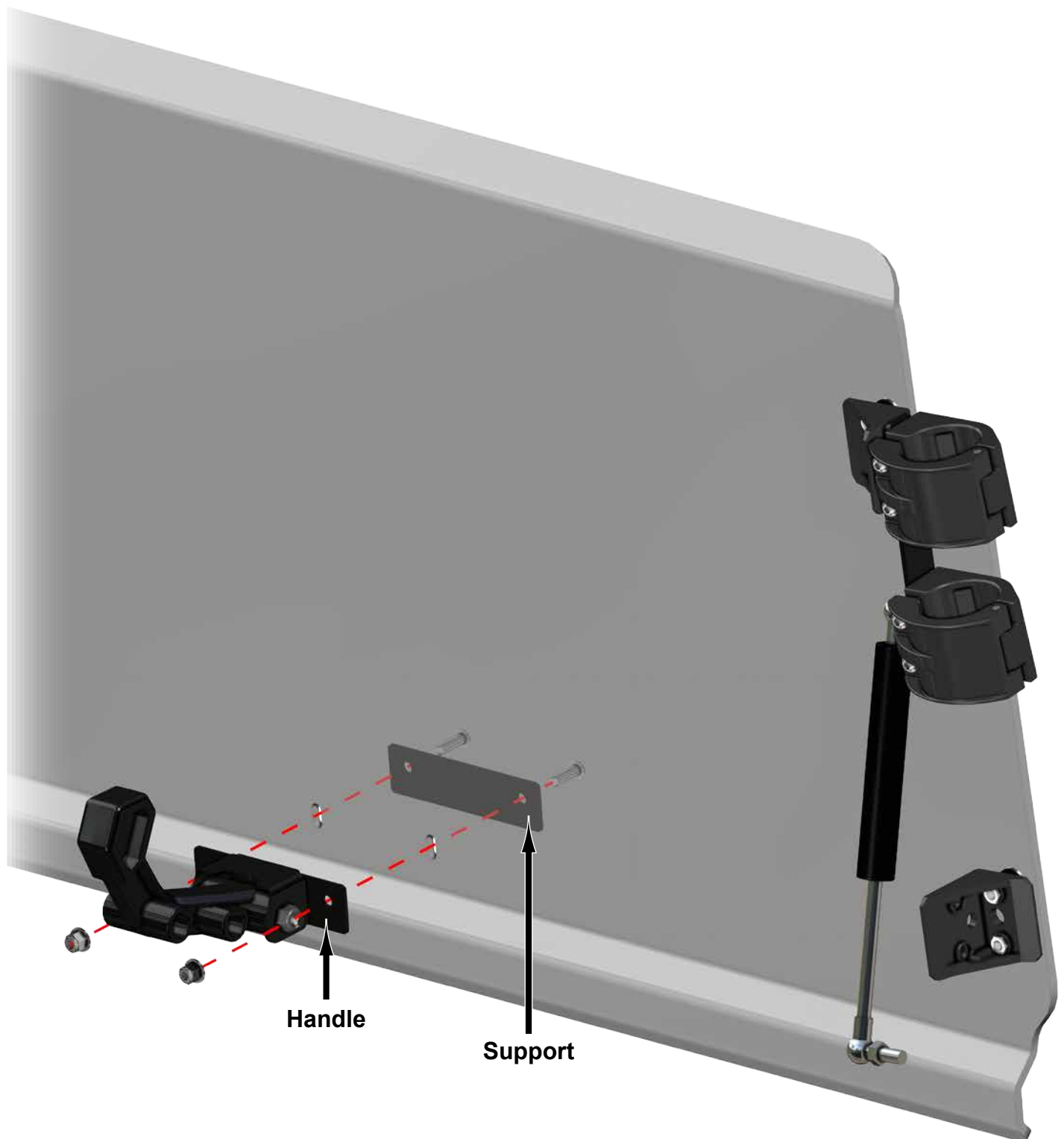
## **Lower Windshield (B) installation continued:**

- Install Catch and Catch Support to Lower Windshield (B).
- Hardware included with Catch.



## Upper Windshield (A) installation:

- Install Handle and Support to Upper Windshield (A).
- Hardware included with Handle.



## Upper Windshield (A) installation continued:

- Install Upper Windshield assembly to Roll Cage.



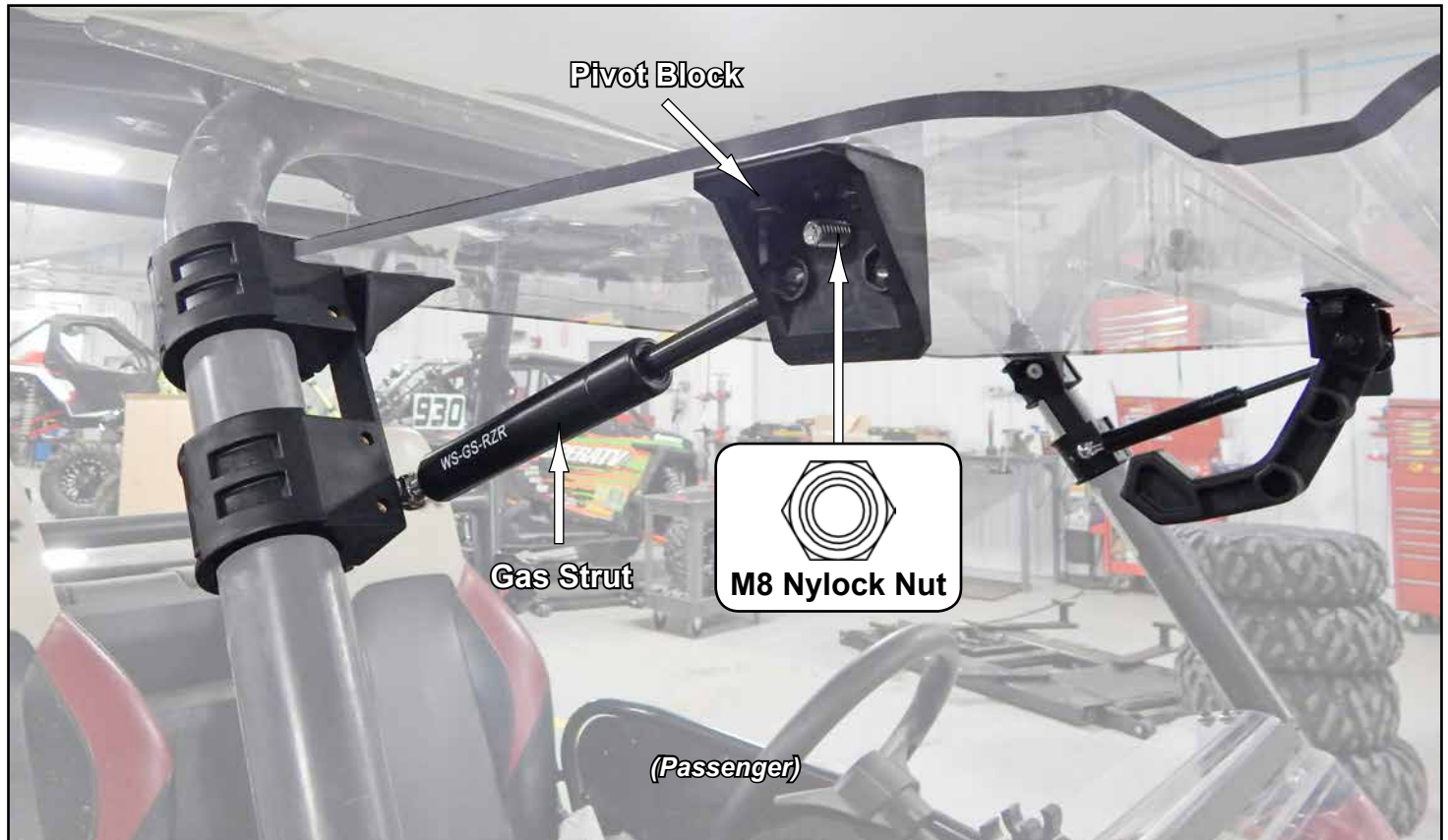
Secure with bolts included with Clamps.

(A)

(Passenger)

## **Upper Windshield (A) installation continued:**

- Place Windshield in open position and secure Gas Struts to Pivot Blocks with hardware shown.



**Tighten all hardware completely.**