**READ ME !** 

Thank you for purchasing a Front Runner Ratcheting Spade/Shovel Mount.

Before you start, take a moment to familiarize yourself with the Fitting Instructions and the components received.

Refer to Page 2 for a list of all the components, quantities and tools required.

**IMPORTANT WARNING!** 

IT IS CRITICAL THAT ALL FRONT RUNNER PRODUCTS BE PROPERLY AND SECURELY ASSEMBLED AND ATTACHED TO YOUR VEHICLE. IMPROPER ATTACHMENT COULD RESULT IN AN AUTOMOBILE ACCIDENT, AND COULD CAUSE SERIOUS BODILY INJURY OR DEATH. YOU ARE RESPONSIBLE FOR ASSEMBLING AND SECURING ALL FRONT RUNNER PRODUCTS TO YOUR VEHICLE, CHECKING THE ATTACHMENTS PRIOR TO USE, AND PERIODICALLY INSPECTING THE PRODUCTS FOR ADJUSTMENT, WEAR AND DAMAGE. THEREFORE, YOU MUST READ AND UNDERSTAND ALL OF THE INSTRUCTIONS AND PRECAUTIONS SUPPLIED WITH YOUR FRONT RUNNER PRODUCT PRIOR TO INSTALLATION OR USE. IF YOU DO NOT UNDERSTAND ALL OF THE INSTRUCTIONS AND CAUTIONS, OR IF YOU HAVE NO MECHANICAL EXPERIENCE AND ARE NOT THOROUGHLY FAMILIAR WITH THE INSTALLATION PROCEDURES, YOU SHOULD HAVE THE PRODUCT INSTALLED BY A PROFESSIONAL INSTALLER OR OTHER QUALIFIED PERSONNEL.

**NOTE:** Front Runner will not be responsible for any damage caused by the failure to install the product according to these instructions.

Please call us if you have any questions about the installation of this product.

# 1

## GET ORGANIZED

### IN THE BOX

1	2 X	M8 x 25 Button Head Bolt
2	4 X	M8 x 16 x 1.6SS Flat Washer
3	2 X	Ladder Strap
4	4 X	M8 Nyloc Nut
5	2 X	Spade Bracket
6	2 X	Ratcheting Buckle
7	2 X	M8 x 30 Button Head Bolt

### TOOLS NEEDED

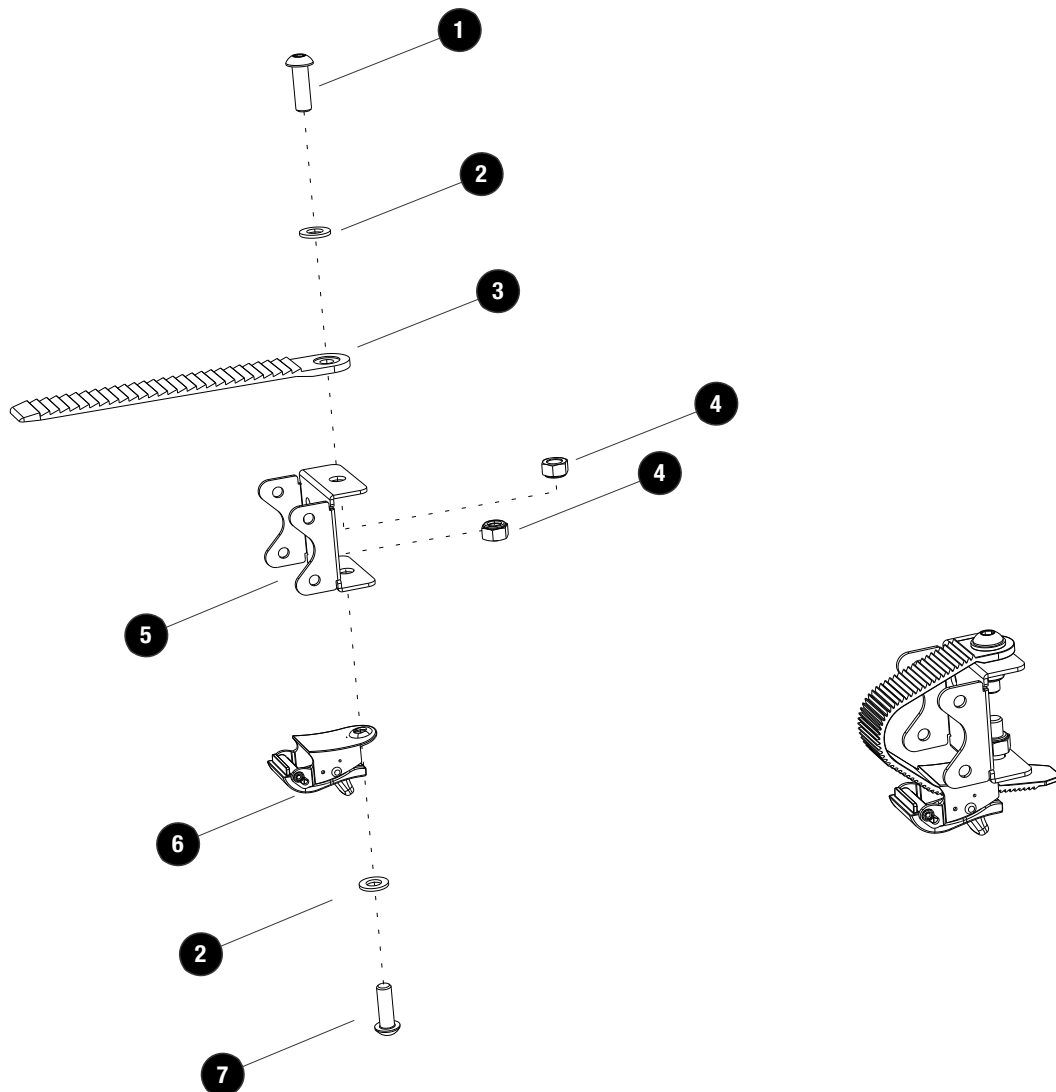


13mm



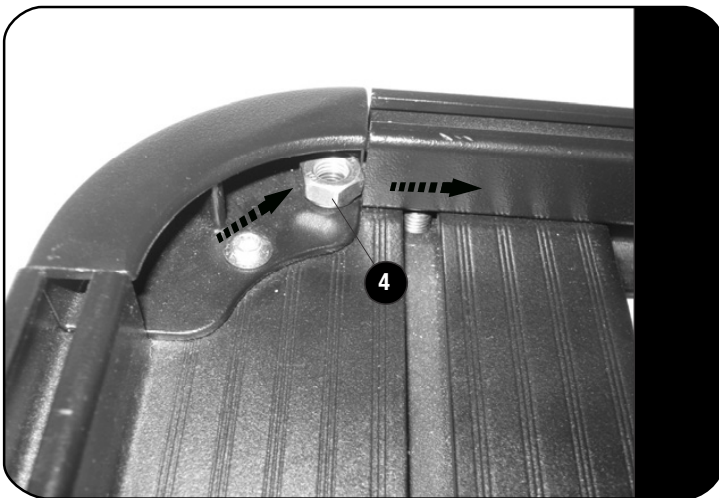
4mm

FIGURE 1.1



## 2 FIT AND SECURE

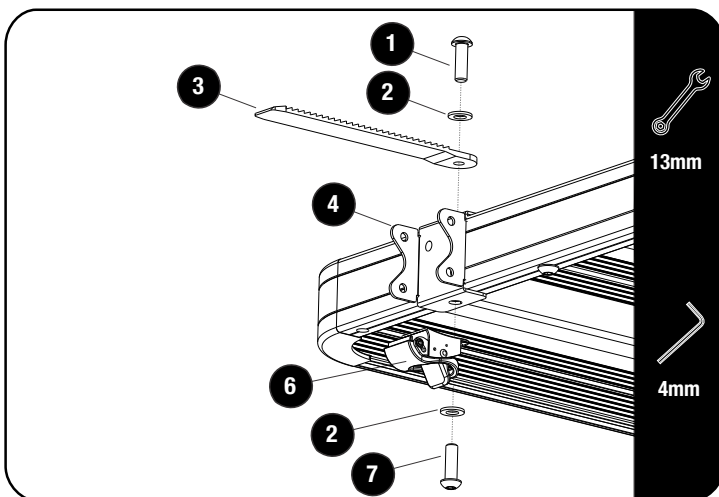
2.1



☞ Decide where on your rack you would like to mount your spade.

On the chosen side, slide two M8 Nyloc Nuts (Item 4) into the T-slot. One M8 Nyloc Nut will be used for each Spade Bracket. The spacing of the Nyloc Nuts will depend on the length of your Spade and where the position of the hole in the bottom of the Side Profile is located.

2.2



☞ Place one of the Spade Brackets (Item 4) over the outside of the side profile of your rack. Line up the hole in the bottom of the bracket with the hole found between two slats on the bottom lip of the side profile. Secure the Ratcheting Buckle (Item 6) and Spade Bracket to the rack using a M8 x 30 Button Head Bolt, M8 x 16 x 1.6SS Flat Washer and M8 Nyloc Nut (Items 2, 4 & 7). The Button Head Bolts must be pushed through the hole in the plastic Ladder Strap (Item 3) before securing the strap and bracket to the rack.

Align one of the M8 Nyloc Nuts inserted in Step 2.1 with the hole in the top of the Spade Bracket and fasten the Ladder Strap (Item 3, Rib side facing up) to the rack using a M8 x 25 Button Head Bolt and M8 x 16 x 1.6SS Flat Washer (Items 1 & 2). Repeat this step for second Spade Bracket.



**NOTE:** You will need to distance the second Spade Bracket according to the length of your Spade Handle and where it lines up with a hole in the bottom of the side profile.

2.3

Secure your spade in position, using the Ladder Strap and Ratcheting Buckle. The operation of the Ratcheting Buckle works by sliding the Ladder Strap through the front of the Buckle. Pull it through and use the lever of the buckle to ratchet the strap tight. To release the Ladder Strap, press the black button towards yourself and pull the Ladder Strap out.

3

## COMPLETION

3.1



Congratulations! You did it. Take a step back and admire your work!

4

## INSTALL OTHER VEHICLE AND RACK ACCESSORIES

Now's the time to visit your favorite Front Runner Dealer in person or online.

Be sure to tag us. We love to see our gear in action! #FrontRunnerOutfitters #BornToRoam

Share your adventures on: 