

advanced FLOW engineering

Instruction Manual P/N: 54-82202 & 51-82202

Make: **BMW** Model: **335i (F30)** Year: **2012-2013** Engine: **L6-3.0L (Turbo) N55**

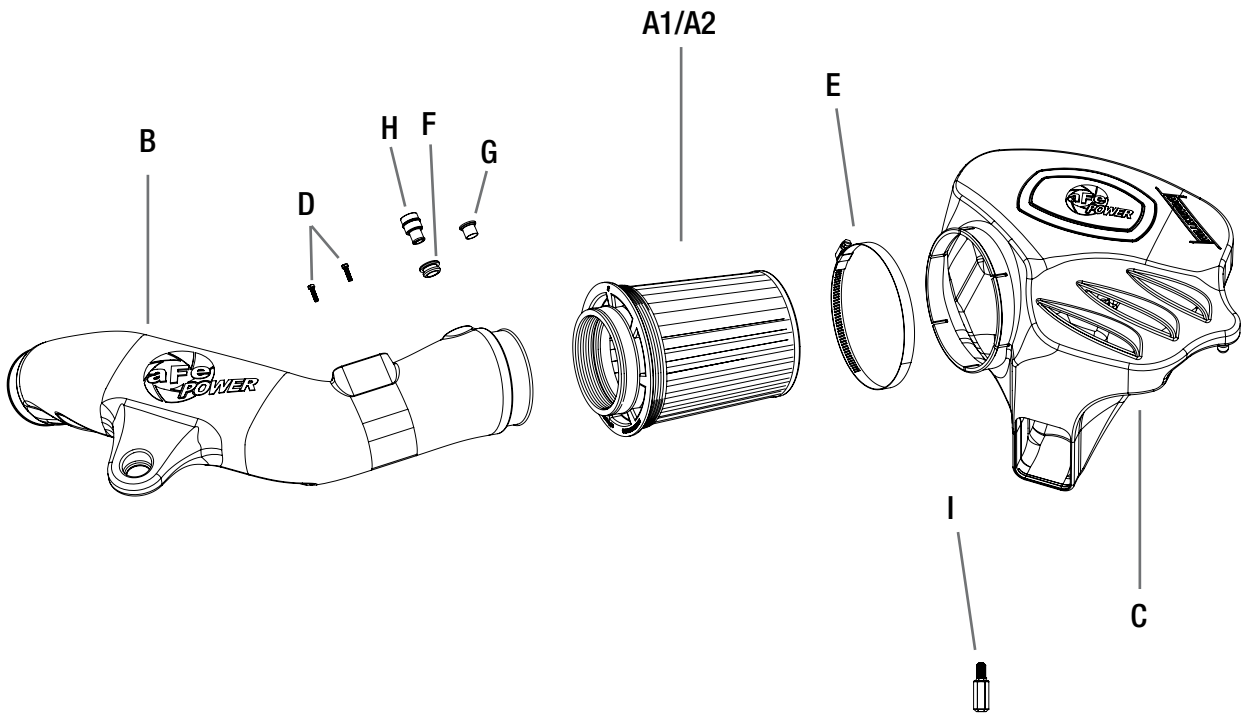


- Please read the entire instruction manual before proceeding.
- Ensure all components listed are present.
- If you are missing any of the components, call customer support at 951-493-7100.
- Ensure you have all necessary tools before proceeding.
- Do not attempt to work on your vehicle when the engine is hot.
- Retain factory parts for future use.

Label	Qty.	Description	Part Number
A1	1	Air Filter (Pro 5R)	24-91063
A2	1	Air Filter (Pro DRY S)	21-91063
B	1	Tube	05-82202B1
C	1	Housing	05-82202B2
D	2	Screw, M4	03-50034
E	1	Clamp, 096	03-50003
F	1	Grommet	03-50033
G	1	Cap: 1/2"	03-50103
H	1	Fitting, Vaccum line	05-01246
I	1	Torx Bit	03-50066

Installation will require the following tools:
Phillips screw driver & 8mm nut driver.

Note: Legal in California for use on race vehicles only. The use of this device on vehicles used on public streets or highways is strictly prohibited in California and others states that have adopted California emission regulations.



* Installation video available on aFe's Youtube Channel

**Figure A****Refer to Figure A for step 1-3**

Step 1: Disconnect MAF sensor harness ①.

Step 2: Unplug the vacuum line ② (Automatic vehicle only)

Step 3: Loosen the clamp on the factory intake tube ③.

Step 4: Remove your factory intake system out of the vehicle by pulling it off the mounting grommets.



Figure B

Refer to Figure B for steps 5-7

- Step 5: Remove the MAF sensor off the factory intake tube using the furnished T20 torx bit and install onto the aFe intake tube with the furnished screws (4) .
- Step 6: Remove the OE grommet off the intake tube and install onto the aFe intake tube (5) .
- Step 7: For vehicles with an automatic transmission, install the provided grommet and aluminum fitting into the hole of the aFe intake tube. For vehicles with a manual trasmission, simply cap off the hole with the grommet and plug provided (6) .

**Figure C****Refer to Figure C for step 8**

Step 8: Slide the aFe filter into the housing and install the clamps. Tighten the large clamp on the housing using a nut driver.

(Note: Wipe clean the air filter flange and housing flange before installation)

**Figure D****Refer to Figure D for steps 9-10**

Step 9: Install the aFe housing into the vehicle by pushing it into the factory grommets (7).

Step 10: Slide the aFe intake tube into the factory inlet tube and into the aFe filter. Then, push the tube into the mounting location (8).

**Figure E****Refer to Figure E for steps 11-12**

Step 11: Lift up the engine cover and re-route the MAF harness around the oil filter housing and re-connect it to the MAF sensor ⑨.

Step 12: Re-connect the vacuum line to the aluminum fitting ⑩ (Automatic vehicle only).

Step 13: Tighten all clamps and pull film off the plastic sight window.

Step 14: Verify all clamps are secure and re-check periodically. Your Installation is now complete.

Note: The Housing has a location on the back of the air box to mount the aFe electronic module (P/N 77-46304)

Page left blank intentionally



Pro DRY S Air Filter



P/N: 21-91063

Pro 5R Air Filter



P/N: 24-91063

Pro DRY S Restore Kit



P/N: 90-59999

Blue Squeeze Restore Kit



P/N: 90-50501

Blue Aerosol Restore Kit



P/N: 90-50001

Electronic Module



P/N: 77-46304

aFe Power Hat



P/N: 40-10083

To purchase any of the items above, view airflow charts, dyno graphs, photos, and video; please go to aFepower.com.

Warranty

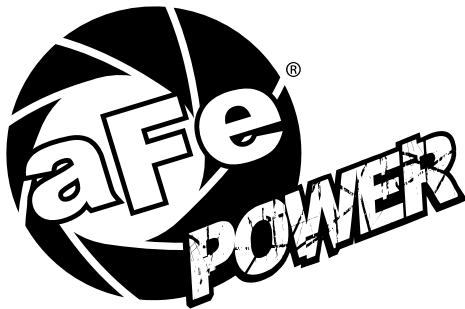
General Terms:

- aFe warrants their products to be free from manufacturer's defects due to workmanship and material.
- This warranty applies only to the original purchaser of the product and is non-transferrable.
- Proof of purchase of the aFe product is required for all warranty claims.
- Warranty is valid provided aFe instructions for installation and/or cleaning were properly followed.
- Proper maintenance with regular inspections of product is required to insure warranty coverage.
- Damage due to improper installation, abuse, unauthorized repair or alteration is not warranted.
- Incidental or consequential damages or cost, including installation and removal of part, incurred due to failure of aFe product is not covered under this warranty.
- All warranty is limited to the repair and/or replacement of the aFe part. To request Return Goods Authorization ("RGA"), email RGA@afepower.com or call (951)493-7100. Upon receipt of the RGA, you must return the product to the address provided in the RGA, freight prepaid and accompanied with a dated proof of purchase and the RGA. Upon receipt of the defective product and upon verification of proof of purchase, aFe will either repair or replace the defective product within a reasonable time, not to exceed thirty days.

Product Category	P/N Prefix	Warranty duration
Direct OE Replacement Filters	10, 11, 30, 31, 71, 73	Life of the vehicle
Racing Filters	18	1 year
Universal	21, 24, 72, TF	2 years
Air Intake Systems	50, 51, 54, 55, 75, TR, TA, TL	2 years
Exhaust Systems	49	2 years
Intercoolers & Intercooler Tubes	46-2	2 years
Intake Manifolds	46-1	2 years
Differential Cover	46-7	Life of the vehicle
Exhaust Manifolds	46	2 years
Throttle Body Spacers	46-3	2 years
Turbochargers	46-6	2 years*
Fluid Filters	44	90 days
Pre-Filters	28	2 years
Heavy Duty OE Replacement	70	2 years
PowerSports OE Replacement	81, 87	2 years
PowerSports Intake Systems	85	2 years

No other warranty expressed or implied applies nor is any person or advanced FLOW engineering authorized to assume any other warranty. Some States do not allow the exclusion or limitation of incidental or consequential damages or do not allow limitations on how long an implied warranty lasts, so the above limitations or exclusions may not apply to you. This warranty gives you specific legal rights, and you may also have other rights which vary from State to State.

*See turbocharger warranty for more info



advanced FLOW engineering, inc.

252 Granite Street Corona, CA 92879

TEL: 951.493.7100 • TECH: 951.493.7100

E-Mail: Tech@aFepower.com