

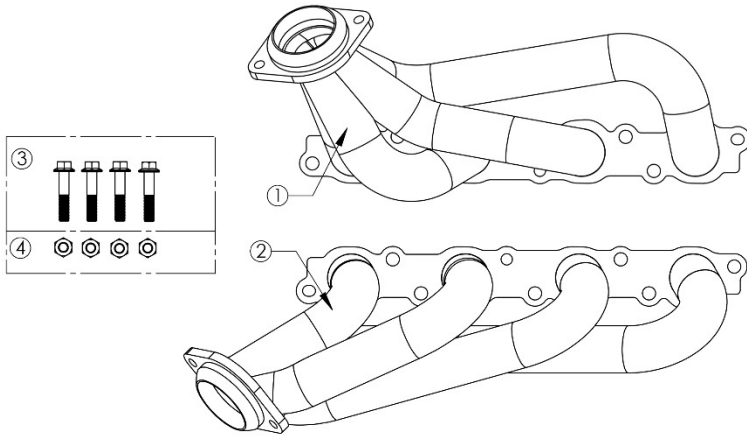



INSTALLATION INSTRUCTIONS

Shorty Headers

48-33029

MAKE: Ford
MODEL: F-250 Super Duty
YEAR: 2020-2021
ENGINE: V8-7.3L

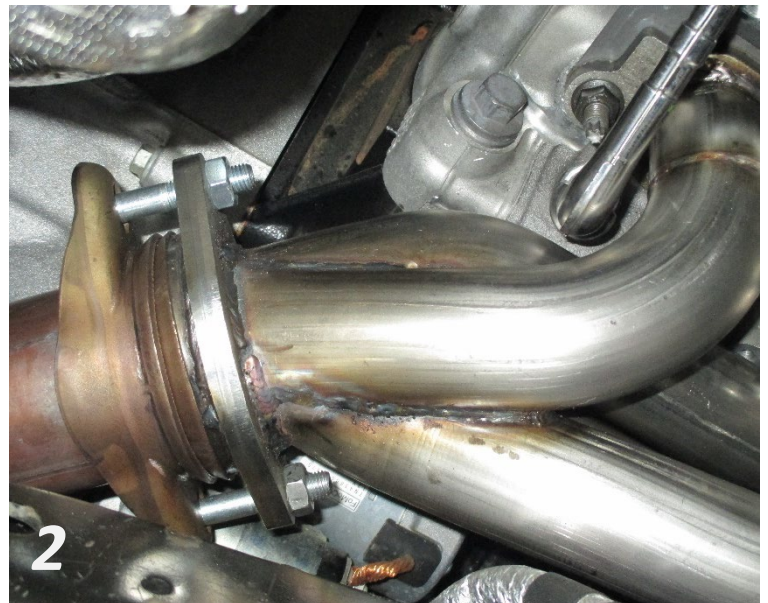


 **EMISSIONS DISCLAIMER**
This product is not currently CARB exempt and is not available for purchase in California or for use on any vehicle registered with the California Department of Motor Vehicles.

<i>Item</i>	<i>Description</i>	<i>Part Number</i>	<i>Quantity</i>
1	Driver Side Header Assembly	05-245048	1
2	Passenger Side Header Assembly	05-245049	1
3	M10 Flange Head Screw	03-50386	4
4	M10 Nut	03-50400	4

aFe POWER recommends professional installation on this product. Thoroughly inspect the aFe POWER exhaust system to make sure there is no damage from shipping (if damage is noted, immediately contact aFe POWER customer service). Allow time for your vehicle to cool down prior to installation. When working on your vehicle proceed with caution. Wear protective safety equipment; eye goggles and gloves to ensure a safe installation.

Install band clamps to proper torque specifications of 40-45 ft-lb.





INSTALLATION INSTRUCTIONS

Shorty Headers

48-33029

MAKE: Ford
MODEL: F-250 Super Duty
YEAR: 2020-2021
ENGINE: V8-7.3L

1. **(Read instructions prior to installation.)** It is recommended to not fully tighten the headers until it has been fully installed. Leave loose for adjustability.
2. Secure vehicle on jack stands (refer to your manual for specified jack stand positions).
3. For faster installation, spread out the parts of the header alongside your vehicle as shown in the diagram above.
4. Secure the stock exhaust with jack/stands.
5. Locate the connector for the driver side rear O2 Sensor. It will be underneath the insulation shield.
6. Detach the insulation shield from the transmission to provide proper access to the connectors.
7. Unplug the four O2 Sensors from the wiring harness.
8. Loosen the (x2) 15mm bolts on sleeve clamp connecting the passenger side connection pipe to the exhaust system and slide rearward onto the exhaust system.
9. Remove the (x2) 13mm bolts securing the driver side connection pipe to the exhaust system.
10. Unbolt the (x2) 10mm bolts from connection pipe hangers from the transmission.
11. Remove the (x2) nuts connecting the right connection pipe to the exhaust manifold.
12. Support the stock connection pipes and remove the (x2) 15mm bolts securing the driver side and passenger side connection pipe to the exhaust manifold. Remove the connection pipes from the vehicle.
13. Remove the passenger side fender liner.
14. Remove the passenger side stock exhaust manifold heat shield by removing the (x4) 8mm bolts and push down.
15. Remove the spark plug wires from the spark plugs, then remove the spark plugs.
16. Remove the stock (x8) 15mm nuts from stock exhaust manifold and remove manifold.
17. Remove the stock gasket and studs.
18. Remove the passenger side stock exhaust manifold through the gap of the removed fender liner.
19. Remove the driver side spark plug wires, and then remove the spark plugs.
20. Remove the stock (x8) 15mm nuts from the stock exhaust manifold and remove the manifold from the top.
21. Remove the stock gasket and studs.
22. Locate the passenger side aFe POWER header in place on the cylinder head and install stock gasket and studs.
23. Tighten the nuts on passenger side aFe POWER header starting from the center and working your way to the outside nuts.
24. Re-install the passenger side spark plugs, and spark plug wires.
25. Locate the driver side aFe POWER header in place on the cylinder head and install stock gasket and studs.
26. Tighten the nuts on the driver side aFe POWER header starting from the center and working your way to the outside nuts.
27. Reinstall the driver side spark plugs, and spark plug wires.
28. Reinstall the connection pipes to the stock exhaust using the stock bolts.
29. Install the left hanger bracket onto the transmission. Do not fully tighten
30. Install the stock connection pipes to the aFe POWER headers using the supplied (x4) bolts and (x4) nuts. **See reference image 2.** Do not fully tighten.
31. Re-plug all O2 sensors
32. Ensure that all the components of the aFe POWER header are aligned and are at a safe clearance from all wires, hoses, brake lines, body parts, and tires.
33. Start from the front of the aFe POWER header and evenly tighten all clamps and fasteners.
34. Start the vehicle and check for any leaks. If any leaks are found, determine cause and repair as necessary.
35. Remove vehicle from jacks stands.
36. It is recommended to re-tighten all clamps and hardware after 50-100 miles.